

Service
Service
Service



Service Manual



TABLE OF CONTENTS

Location of PCBS	1-1	Headphone& Volume Board	8-1
Specifications	1-2	Lamp,USB Lamp&USB Board	9-1
Measurement Setup	1-3	Decoder Board	10
Service Aids, Safety Instruction, etc.	1-4	Circuit diagram	10-1 to 10-7
Instructions On CD Playability	1-5 to 1-6	Layout diagram	10-8 to 10-9
Software Version Check & Upgrade	2-1	Power Board	11
Malfunction Check Chart	2-2	Circuit diagram	11-1 to 11-4
Disassembly Diagram	3-1	Layout diagram	11-5
Block Diagram	4-1	Explode View	12
Wiring Diagram.....	4-2	Service Partlist	13
Key-press Board	5	Factory Partlist	14
Circuit diagram	5-1		
Layout diagram	5-2		
DAB VFD Board	6		
Circuit diagram	6-1		
Layout diagram	6-2		
Data Transfer Board	7		
Circuit diagram	7-1		
Layout diagram	7-2		



© Copyright 2008 Philips Consumer Electronics B.V. Eindhoven, The Netherlands
All rights reserved. No part of this publication may be reproduced, stored in a retrieval system or transmitted, in any form or by any means, electronic, mechanical, photocopying, or otherwise without the prior permission of Philips.

Published by DB 0816 Service Audio Printed in The Netherlands Subject to modification

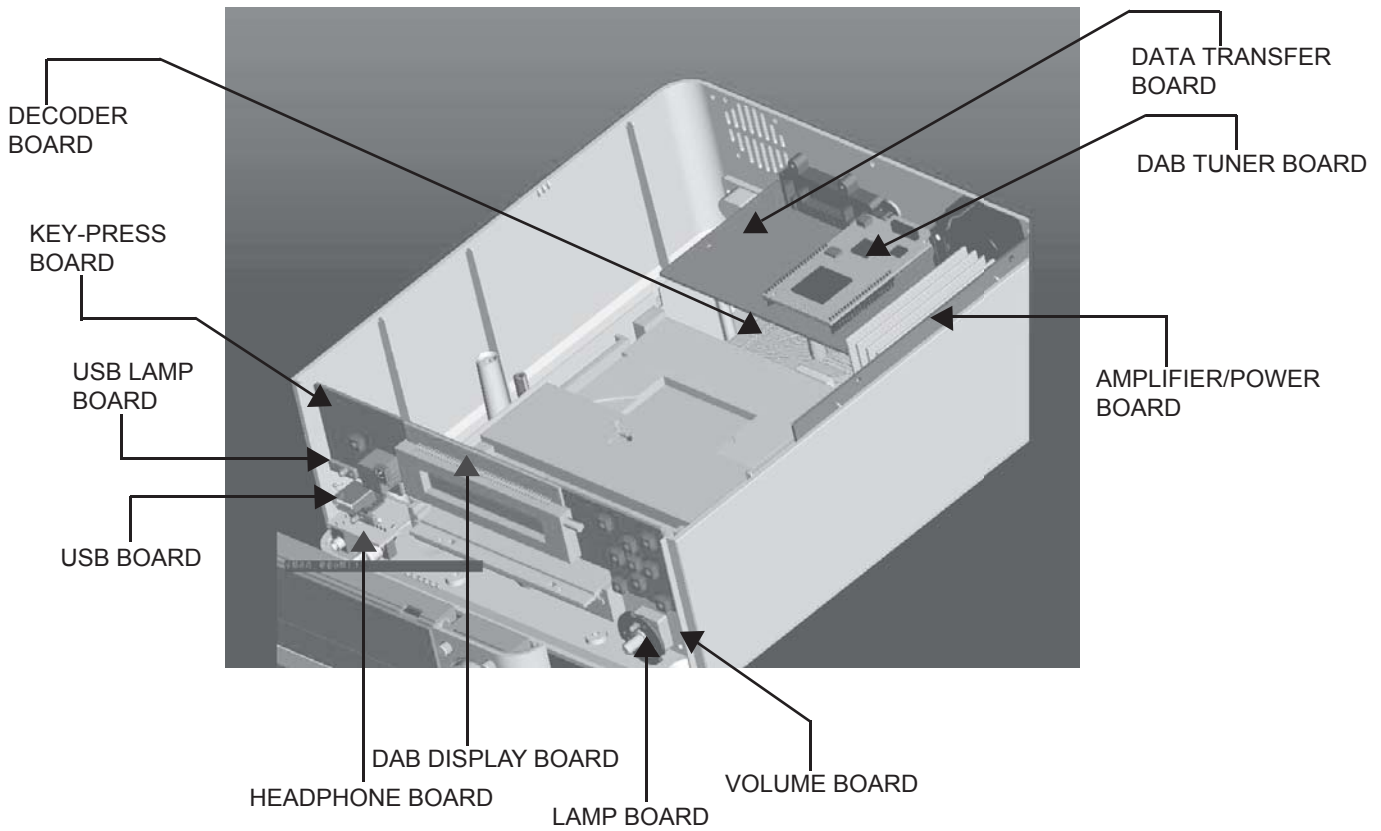
© 3141 785 32680

Version 1.0



PHILIPS

Location of PC Boards



VERSION VARIATIONS :

Type /Versions:		MCDB710										
Board in used:	Service policy	/05	/12	/37	/55	/58	/61	/79	/93	/94	/96	/98
DAB DISPLAY BOARD		C	C									
DAB TUNER BOARD		M	M									
HEADPHONE BOARD		M	M									
USB BOARD		M	M									
USB LAMP BOARD		M	M									
LAMP BOARD		M	M									
VOLUME BOARD		M	M									
KEY-PRESS BOARD		C	C									
DATA TRANSFER BOARD		C	C									
DECODE BOARD		M	M									
AMPLIFIER/POWER BOARD		M	M									
Type /Versions:		MCDB710										
Features	Feature difference	/05	/12	/37	/55	/58	/61	/79	/93	/94	/96	/98
RDS												
VOLTAGE SELECTOR												
ECO STANDBY - DARK												
TDS												
* TIPS : C -- Component Lever Repair. M -- Module Lever Repair √ -- Used												

Specification

AMPLIFIER

Rated Output Power2 x 45W RMS
 Signal-to-noise ratio \geq 65 dBA
 Frequency response 20Hz – 15KHz, \pm 3 dB
 Aux Input0.5V RMS 47kohm

DISC

Laser Type Semiconductor
 Disc Diameter 12cm/8cm
 Support Disc
 ..DVD,DivX,CD-DA,CD-R,CD-RW,MP3-CD,WMA-CD
 Audio DAC 24Bits / 44.1kHz
 Total Harmonic Distortion <0.1%(1kHz)
 Frequency Response 4Hz - 20kHz (44.1kHz)
 S/N Ration >65dBA

TUNER

FM Tuning Range 87.5 – 108 MHz
 DAB Wave Range 174 – 240 MHz
 Tuning grid 100K/ 50KHz

Sensitivity

– Mono, 26dB S/N Ratio 5uV
 – Stereo, 46dB S/N Ratio 100uV
 Selectivity >26dB
 Image Rejection >26dB
 Total Harmonic Distortion <3%
 Signal to Noise Ration \geq 65dBA

SPEAKERS

Speaker Impedance 4ohm
 Speaker Driver, base4.5"
 Speaker Driver, tweeter 3"
 Frequency Response 20 - 20 KHz

GENERAL INFORMATION

Total Output power 90 W RMS
 AC Power 220-230 V / 50Hz/60Hz
 Operation Power Consumption 52W
 Standby Power Consumption <4W
 Eco Standby Power Consumption <1W
 Headphone Output 2X15mW 32ohm
 USB Direct Version 1.1

Dimensions

– Main unit (w x h x d) 248x280x105mm
 – Speaker box (w x h x d) 206x170x270mm

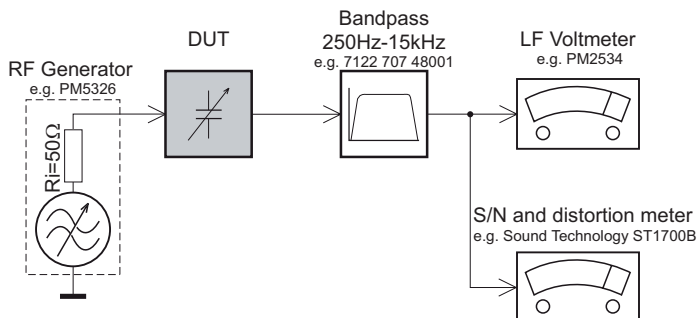
Weight

– With Packing 10 KG
 – Main Unit 3.23KG
 – Speaker box 6KG

Specifications and external appearance are subject to change without notice.

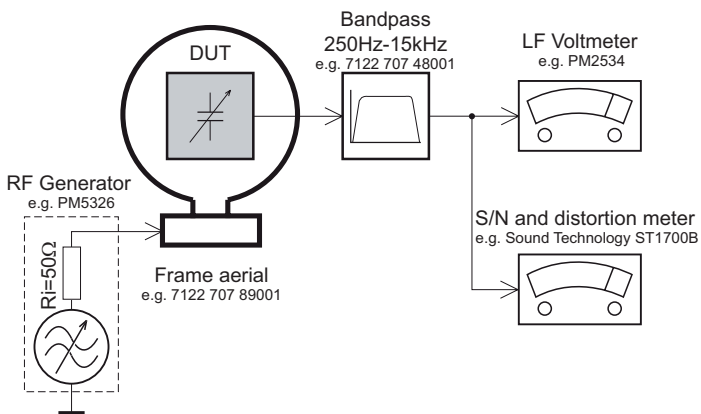
MEASUREMENT SETUP

Tuner FM



Use a bandpass filter to eliminate hum (50Hz, 100Hz) and disturbance from the pilotone (19kHz, 38kHz).

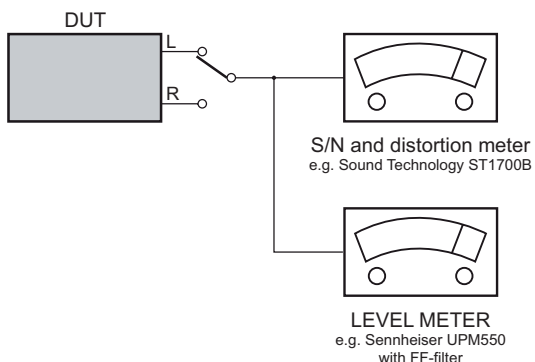
Tuner AM (MW,LW)



To avoid atmospheric interference all AM-measurements have to be carried out in a Faraday's cage.
Use a bandpass filter (or at least a high pass filter with 250Hz) to eliminate hum (50Hz, 100Hz).

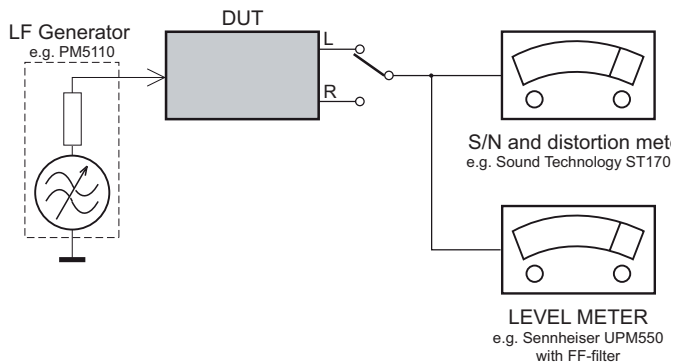
CD

Use Audio Signal Disc SBC429 4822 397 30184
(replaces test disc 3)



Recorder

Use Universal Test Cassette **Cr02** SBC419 4822 397 30069
or Universal Test Cassette **Fe** SBC420 4822 397 30071



SERVICE AIDS

GB WARNING

All ICs and many other semi-conductors are susceptible to electrostatic discharges (ESD). Careless handling during repair can reduce life drastically.

When repairing, make sure that you are connected with the same potential as the mass of the set via a wrist wrap with resistance. Keep components and tools also at this potential.

ESD



GB

Safety regulations require that the set be restored to its original condition and that parts which are identical with those specified, be used

Safety components are marked by the symbol Δ .

**CLASS 1
LASER PRODUCT**

INFORMATION ABOUT LEAD-FREE SOLDERING

Philips CE is producing lead-free sets from 1.1.2005 onwards.

IDENTIFICATION:

Regardless of special logo (not always indicated) one must treat all sets from 1 Jan 2005 onwards, according next rules:



- On our website www.atyourservice.ce.Philips.com you find more information to:
 - * BGA-de-/soldering (+ baking instructions)
 - * Heating-profiles of BGAs and other ICs used in Philips-sets
 - * Lead free

You will find this and more technical information within the "magazine", chapter "workshop news".

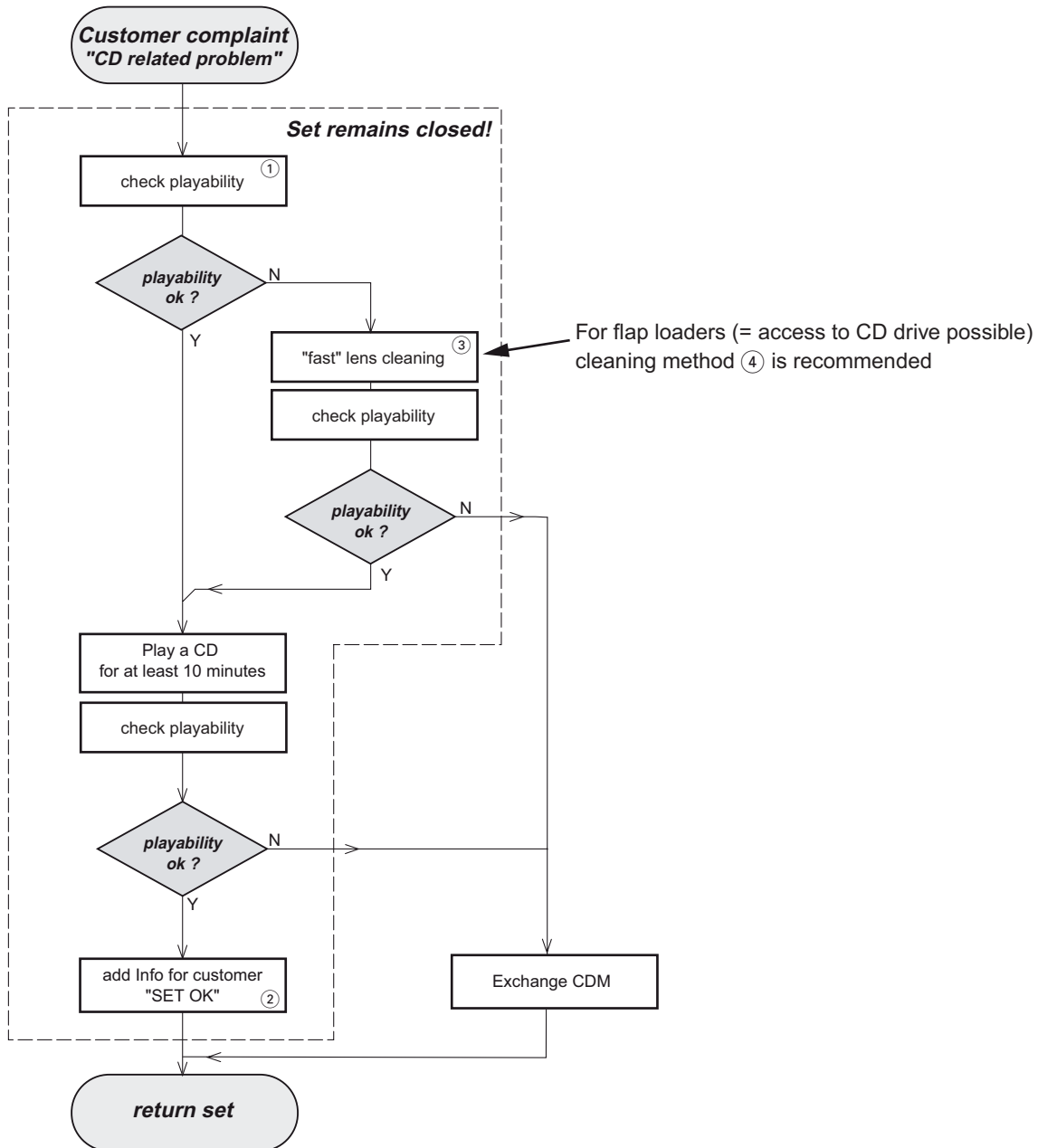
For additional questions please contact your local repair-helpdesk.

SERVICE INSTRUCTION

Safety regulations require that after a repair, the set must be returned in its original condition. Pay in particular attention to the following points:

- Route the wire trees correctly and fix them with the mounted cable clamps.
- Check the insulation of the AC Power lead for external damage.
- Check the strain relief of the AC Power cord for proper function.
- Check the electrical DC resistance between the AC Power Plug and the secondary side (only for sets which have a AC Power isolated power supply):
 1. Unplug the AC Power cord and connect a wire between the two pins of the AC Power plug.
 2. Set the AC Power switch to the "on" position (keep the AC Power cord unplugged!).
 3. Measure the resistance value between the pins of the AC Power plug and the metal shielding of the tuner or the aerial connection on the set. The reading should be larger than 4.5 Mohm (For U.S. it should be between 4.2 Mohm and 12 Mohm).
 4. Switch "off" the set, and remove the wire between the two pins of the AC Power plug.
- Check the cabinet for defects, to avoid touching of any inner parts by the customer.

INSTRUCTIONS ON CD PLAYABILITY



① - ④ For description - see following pages

INSTRUCTIONS ON CD PLAYABILITY

①

PLAYABILITY CHECK

For sets which are compatible with **CD-RW** discs
 use CD-RW Printed Audio Disc7104 099 96611
 TR 3 (Fingerprint)
 TR 8 (600 μ Black dot) **maximum at 01:00**

- playback of these two tracks without audible disturbance
 playing time for: Fingerprint ≥ 10 seconds
 Black dot from 00:50 to 01:10
- jump forward/backward (search) within a reasonable time

For all other sets
 use CD-DA SBC 444A4822 397 30245
 TR 14 (600 μ Black dot) **maximum at 01:15**
 TR 19 (Fingerprint)
 TR 10 (1000 μ wedge)

- playback of all these tracks without audible disturbance
 playing time for: 1000 μ wedge ≥ 10 seconds
 Fingerprint ≥ 10 seconds
 Black dot from 01:05 to 01:25
- jump forward/backward (search) within a reasonable time

②

CUSTOMER INFORMATION

It is proposed to add an addendum sheet to the set which informs the customer that the set has been checked carefully - but no fault was found.

The problem was obviously caused by a scratched, dirty or copy-protected CD. In case problems remain, the customer is requested to contact the workshop directly.

The lens cleaning (method ③) should be mentioned in the addendum sheet.

The final wording in national language as well as the printing is under responsibility of the Regional Service Organizations.

④

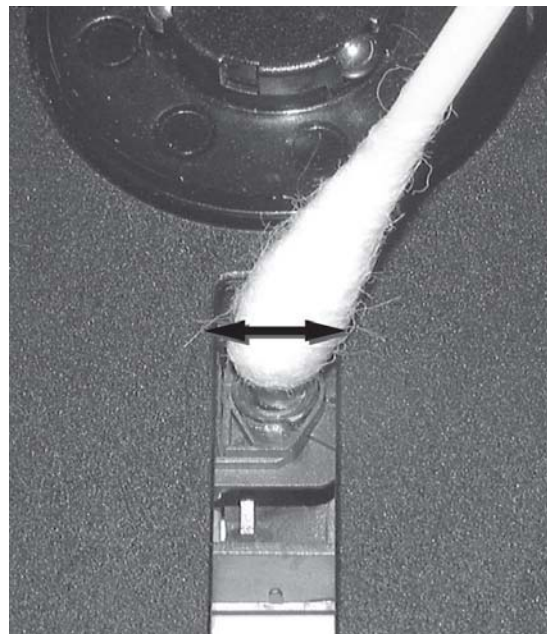
LIQUID LENS CLEANING

Before touching the lens it is advised to clean the surface of the lens by blowing clean air over it. This to avoid that little particles make scratches on the lens.

Because the material of the lens is synthetic and coated with a special anti-reflectivity layer, cleaning must be done with a non-aggressive cleaning fluid. It is advised to use "Cleaning Solvent

The actuator is a very precise mechanical component and may not be damaged in order to guarantee its full function. Clean the lens gently (don't press too hard) with a soft and clean cotton bud moistened with the special lens cleaner.

The direction of cleaning must be in the way as indicated in the picture below.



Software Version Check & Upgrade

Upgrade software

1. Download the software from Philips support website
<http://www.philips.com/support>
2. Load the CD Disc or USB with software, when it is loading, the TV screen showing as below:

```

20
SMART Upgrade
Upgrade To Vxxx.Lxxx-xx?
< X >   < 0 >

```

After 20 seconds, the TV screen showing as below:

```

SMART Upgrade
Upgrading
Don't power off

```

Waiting half to one minute, till the TV screen showing disappear, software upgrade finish.

Software check

1. Power on the unit and switch to the DVD mode with no Disc loading.
2. Input password "9735" on remote, TV screen showing as below:

```

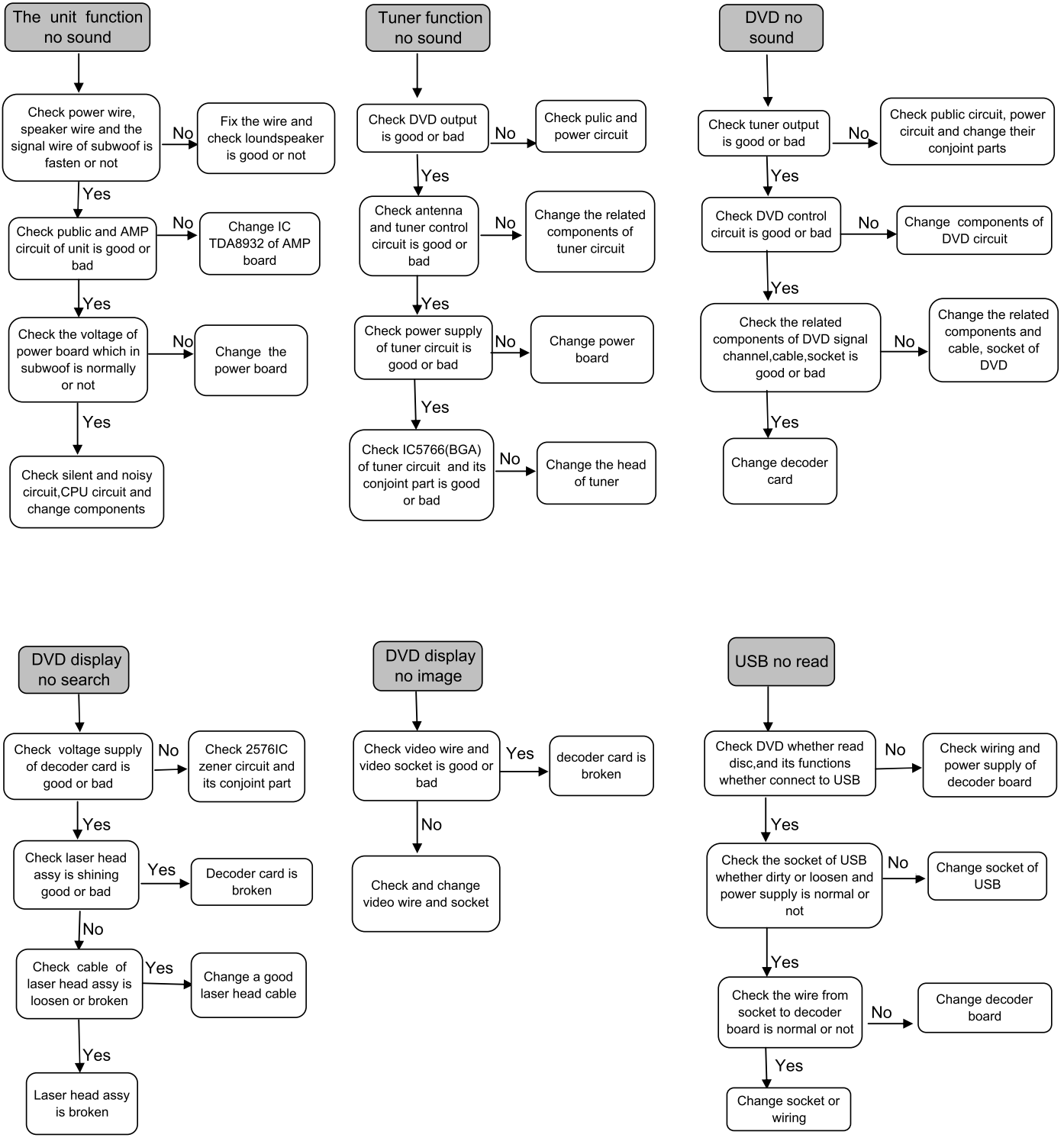
MCDB710/12 V1.0SND
SC:135      S03S03-STD-359A
F/W   ID   018.41AKL648-000
CHIP  ID   A1807 [FODD3803]
REGION REGION 0
RATING REGION 1
          REGION 2
          REGION 3
          REGION 4
          REGION 5
          REGION 6

PASSWORD
EXIT SETUP

```

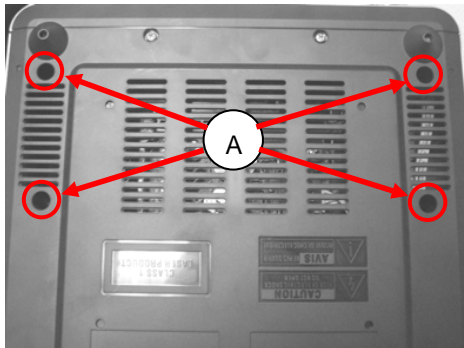

Malfunction follow check chart

MALFUNCTION FOLLOW CHECK CHART

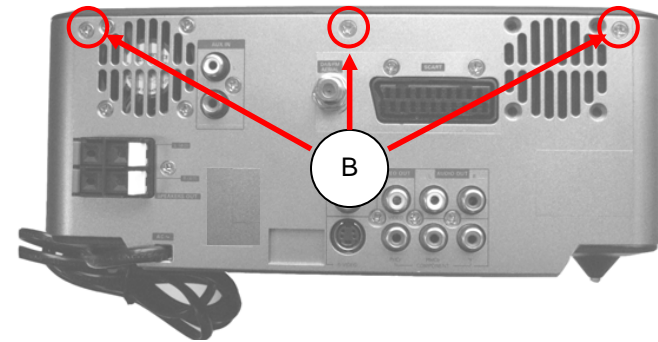


Disassembly diagram

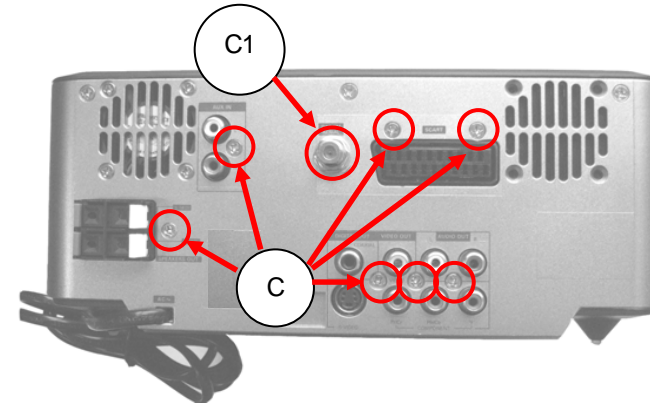
A. Loosen screws 3x15PA(4PCS) to remove the top cover.



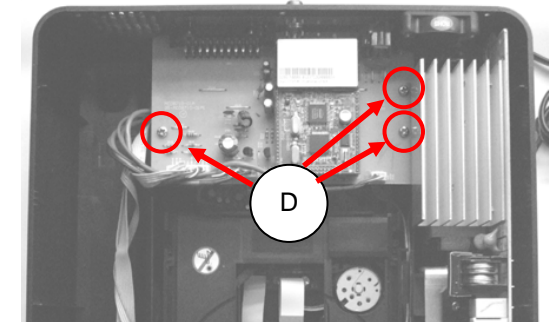
B. Loosen screws 3x12FA(3PCS).



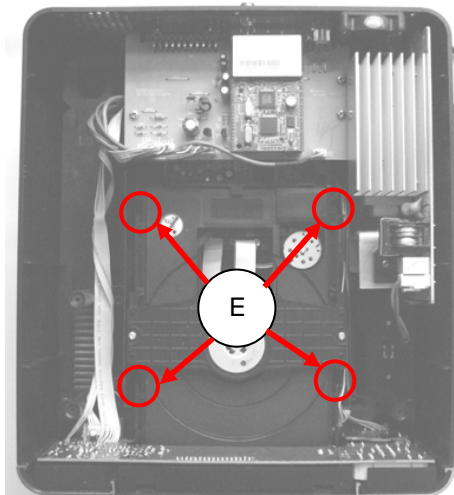
C. Loosen screws 3x10FA(7PCS) to remove the terminals of rear plate.
C1. Loosen DAB screw(1PC).



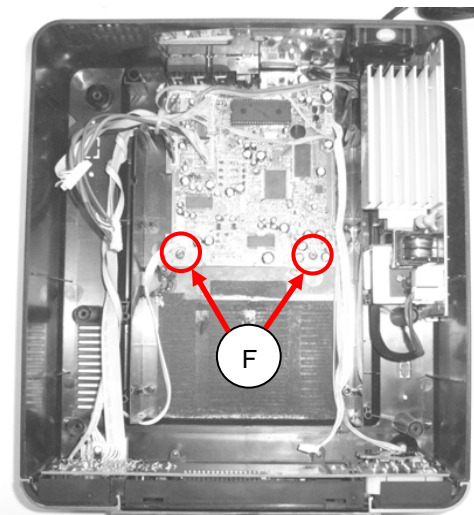
D. Loosen screws 3x8BA (3PCS) to remove connection board.



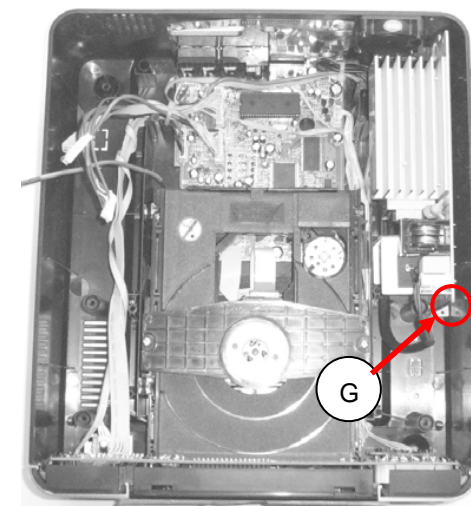
E. Loosen screws 3x15BA(4PCS) to remove mechanism core.



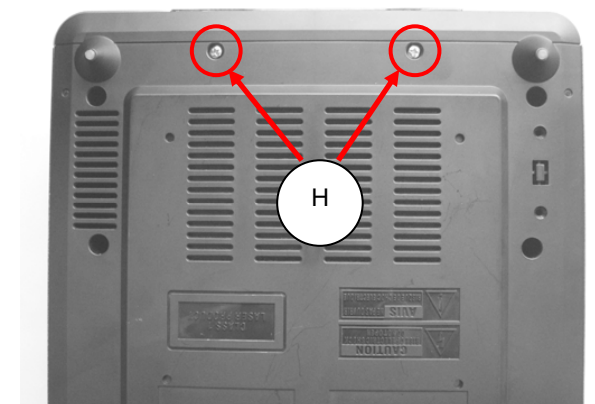
F. Loosen screws 3x6PT(2PCS) to remove decoder board.



G. Loosen screw 3x 10PA(1PC) to remove power board.



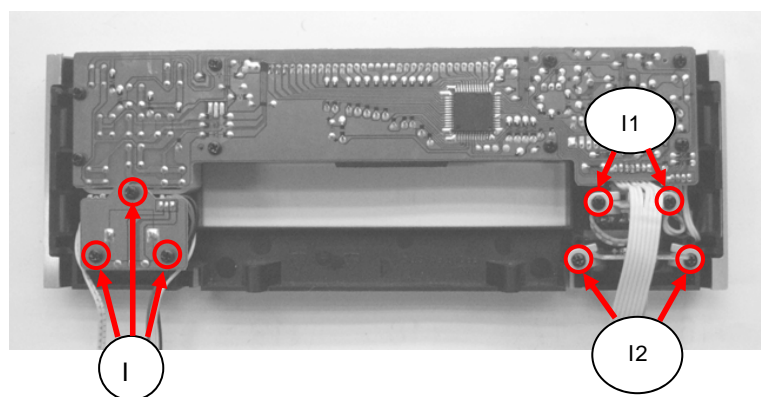
H. Loosen screws 3x12BA(2PCS) to remove the bottom cover.



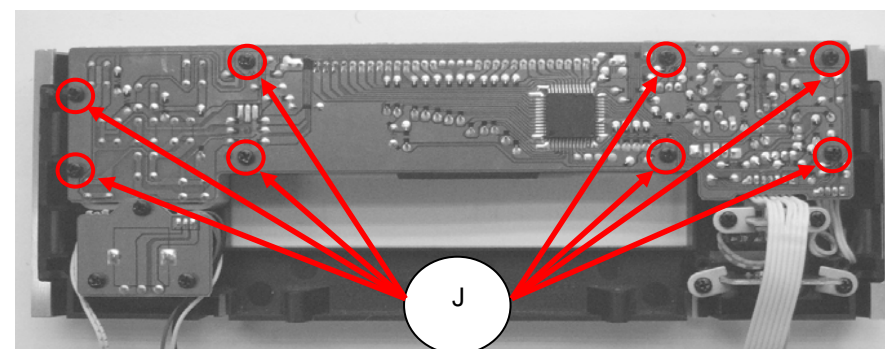
I. Loosen screws 2.6x 8BA(3PCS) to remove volume board.

II. Loosen screws 2.6x 8BA(2PCS) to remove USB board.

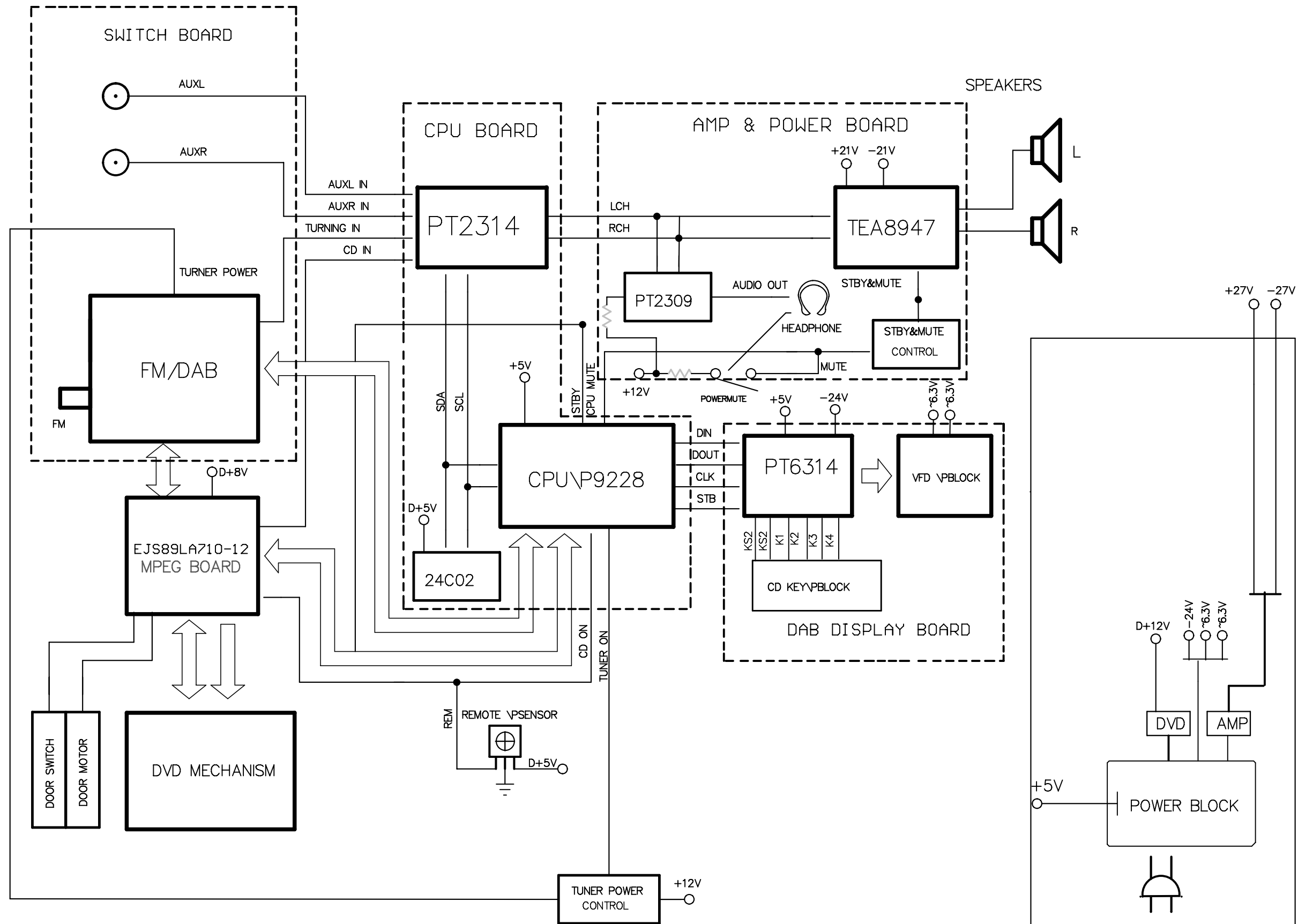
I2. Loosen screws 2.6x 8BA(2PCS) to remove headphone board.



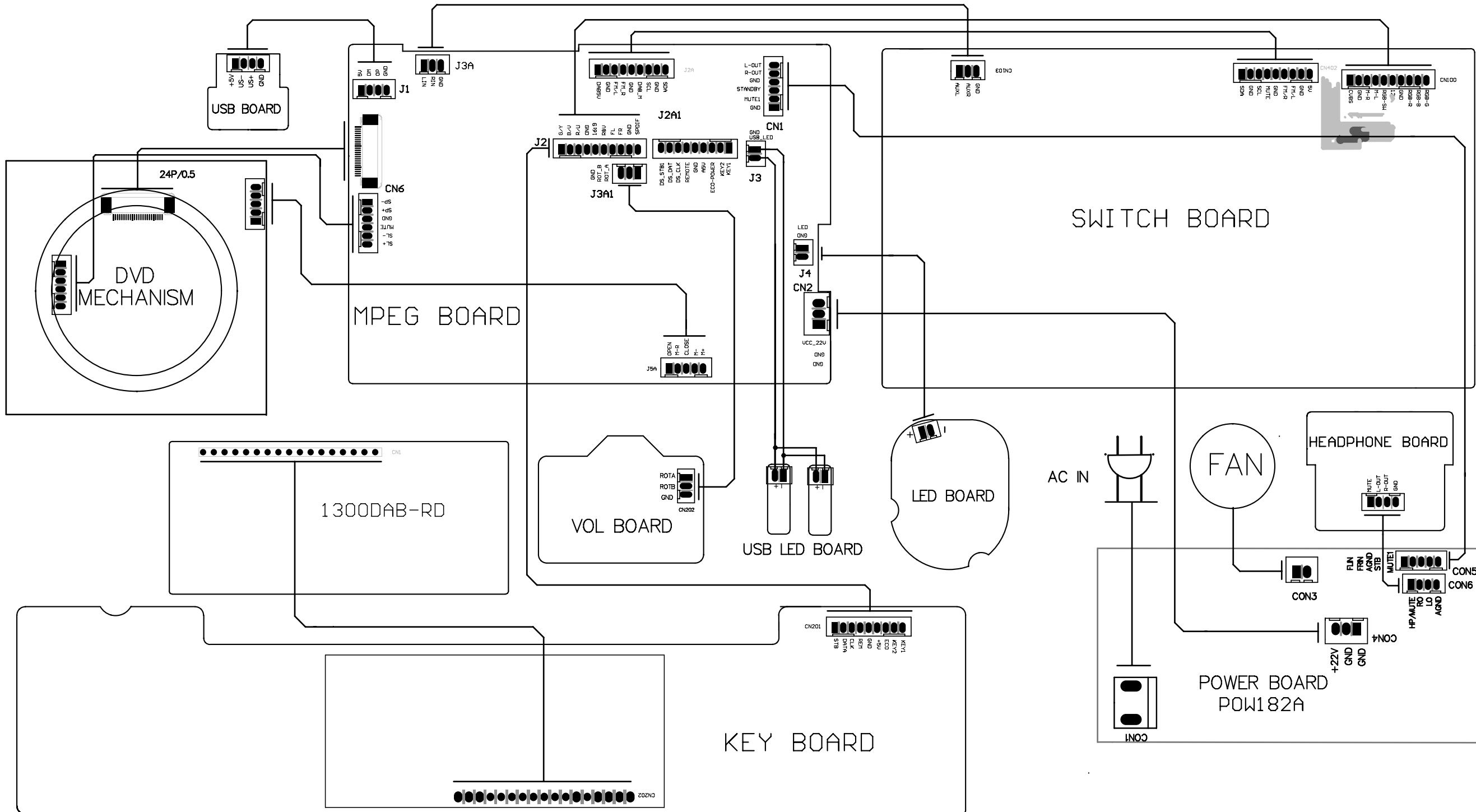
J. Loosen screws 2.6x 8BA(8PCS) to remove display board.



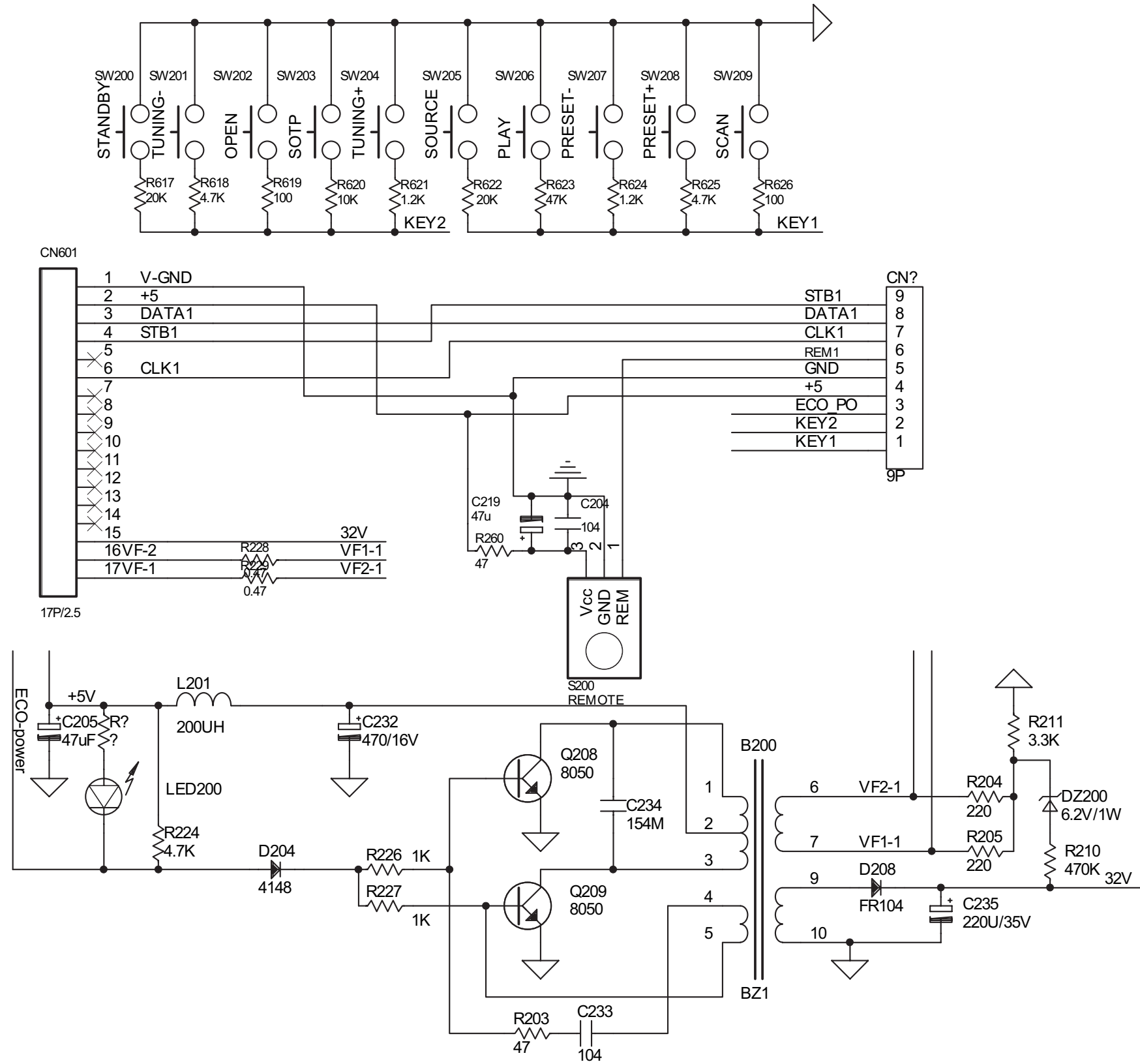
Block Diagram



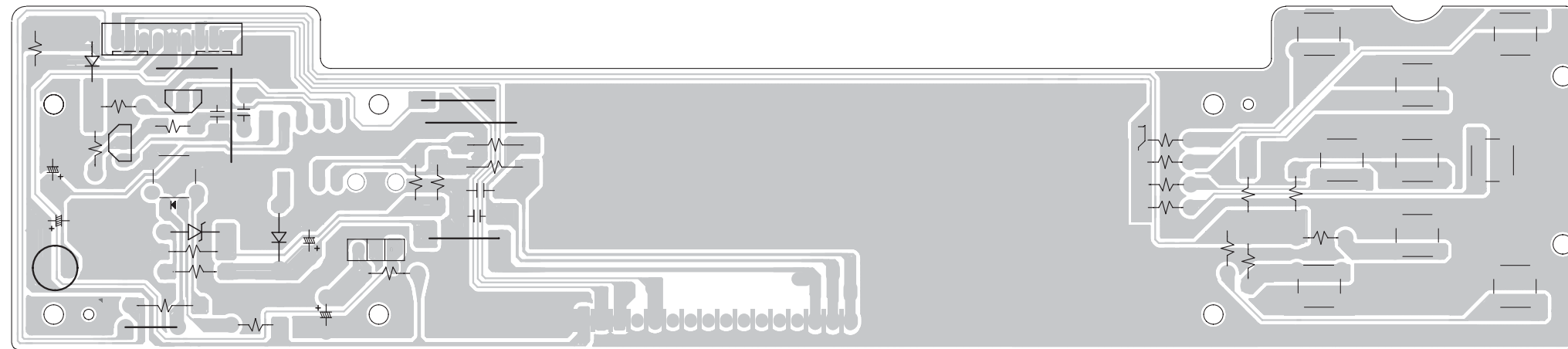
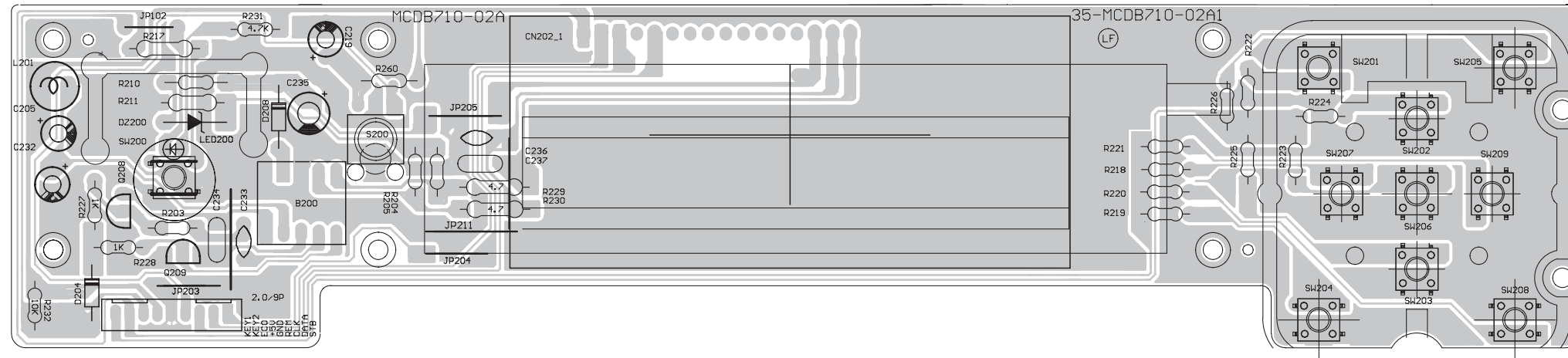
Wiring diagram



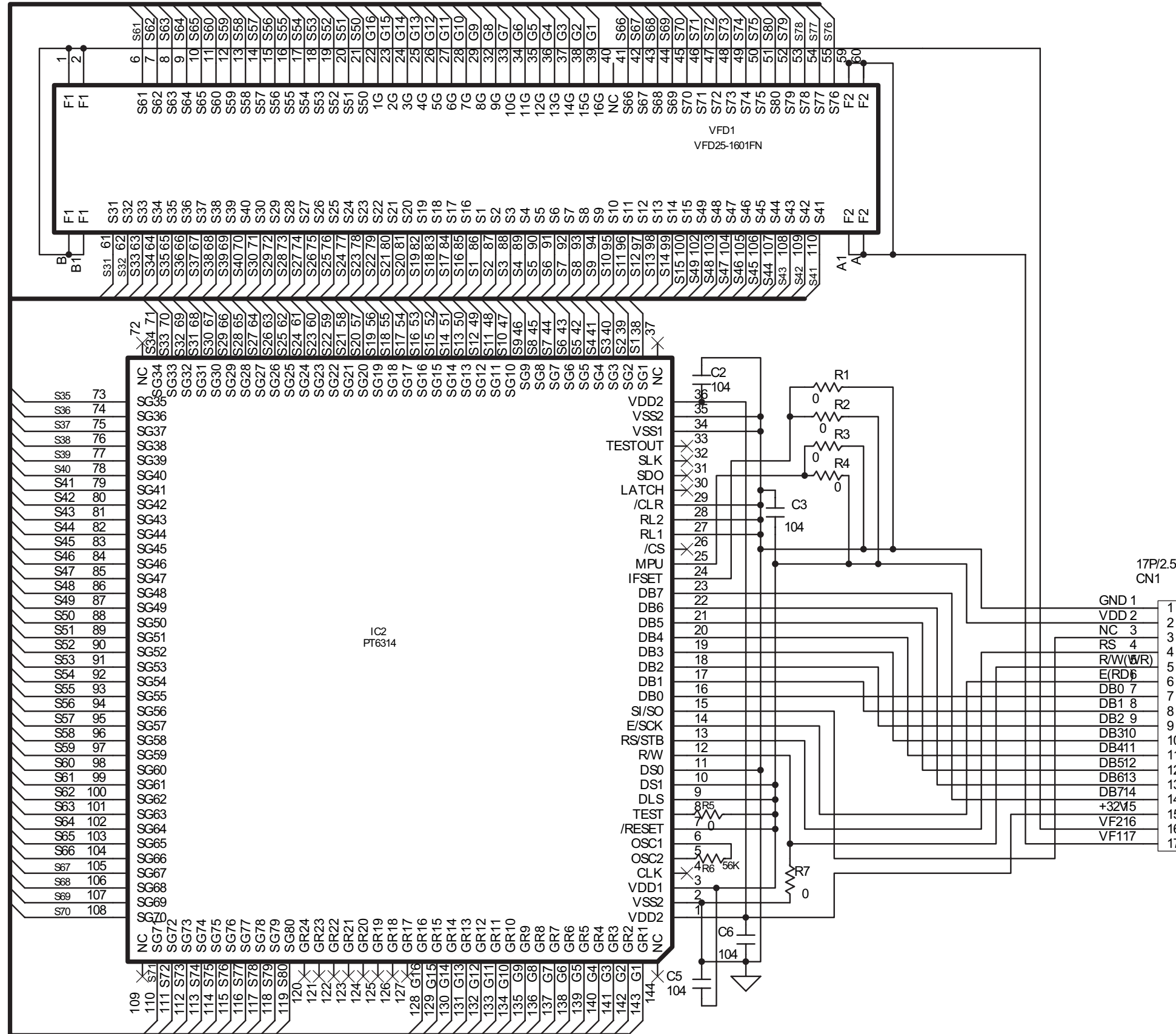
Key-Press--Circuit diagram



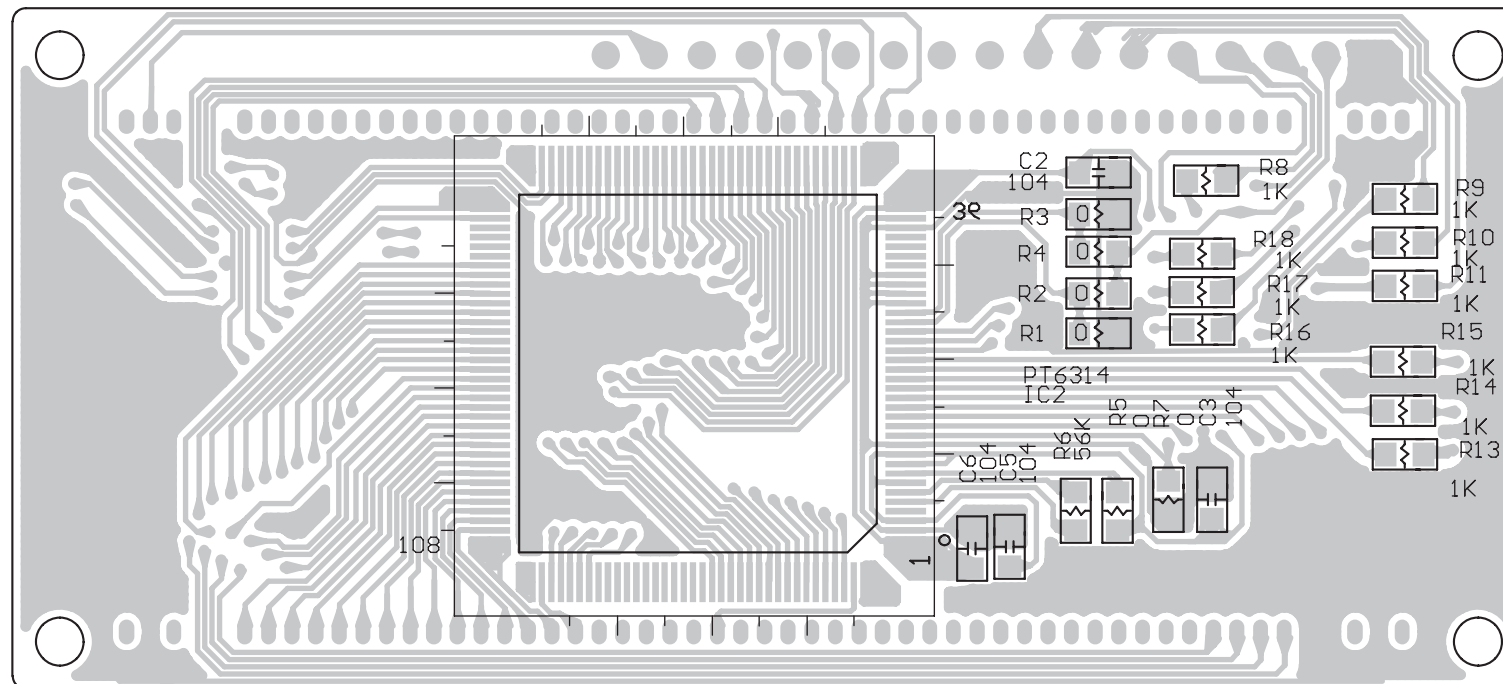
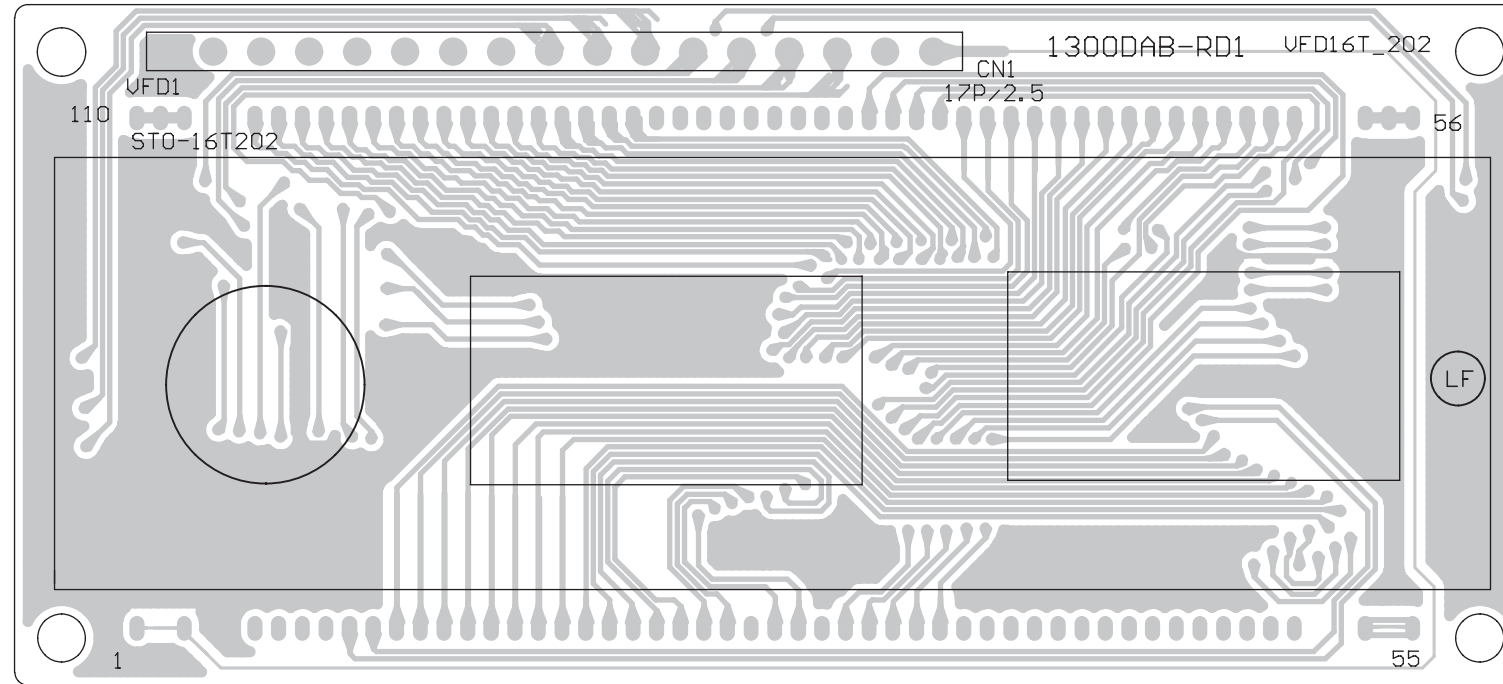
Key-Press--Layout diagram



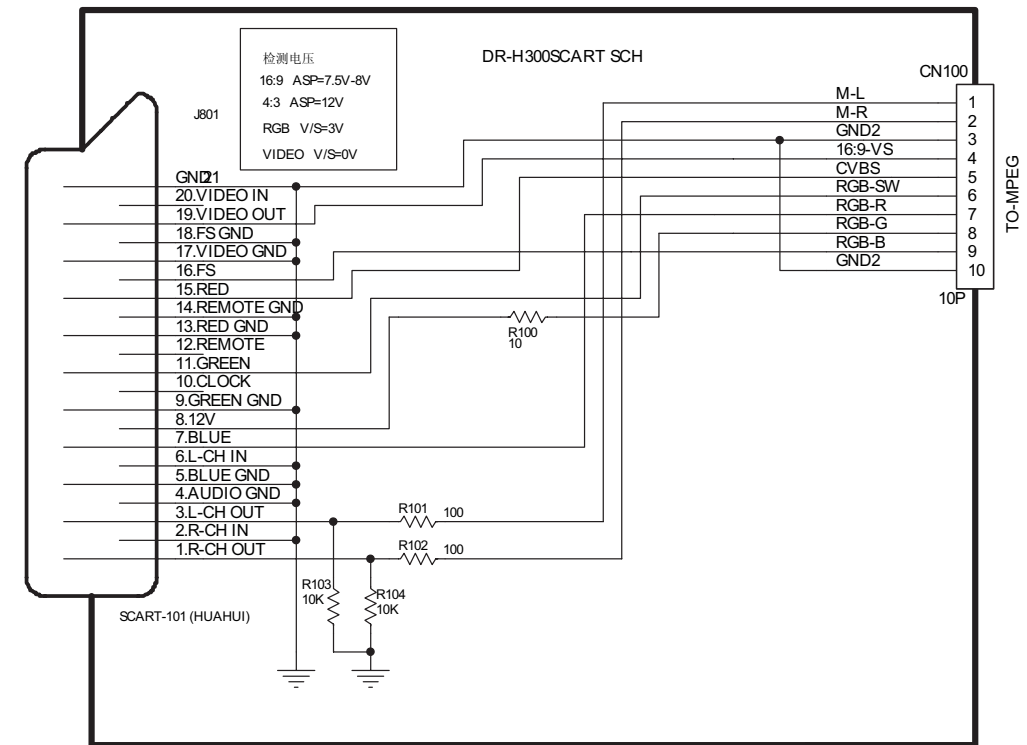
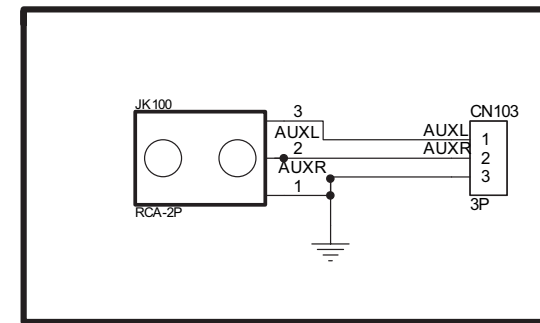
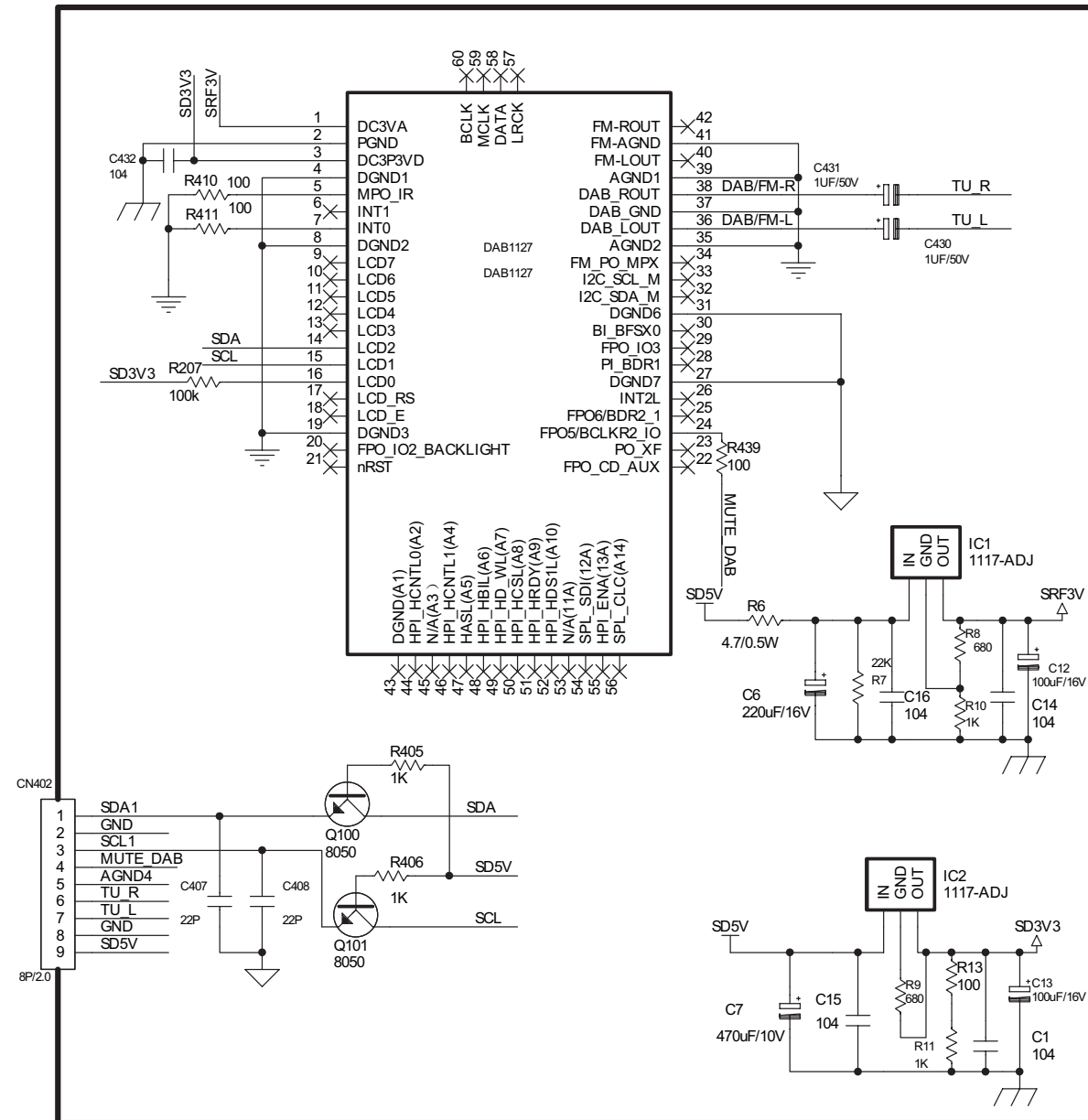
DAB VFD BOARD--Circuit diagram



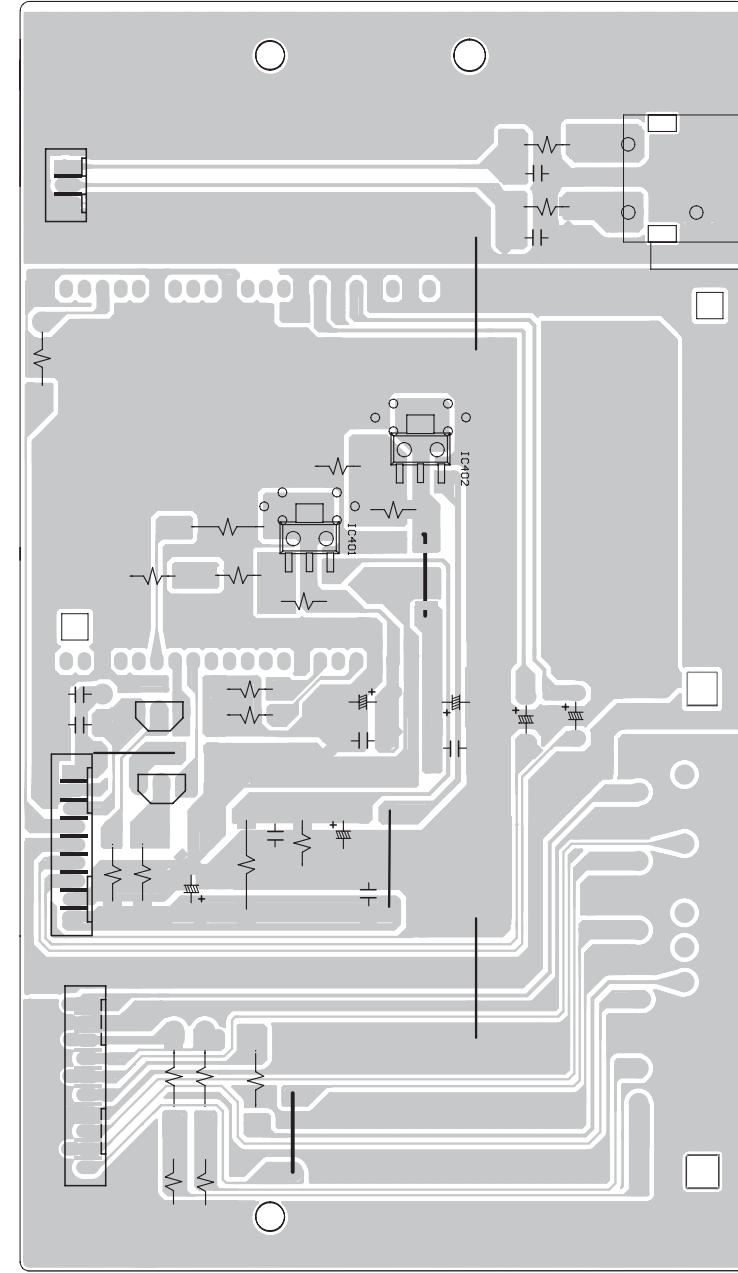
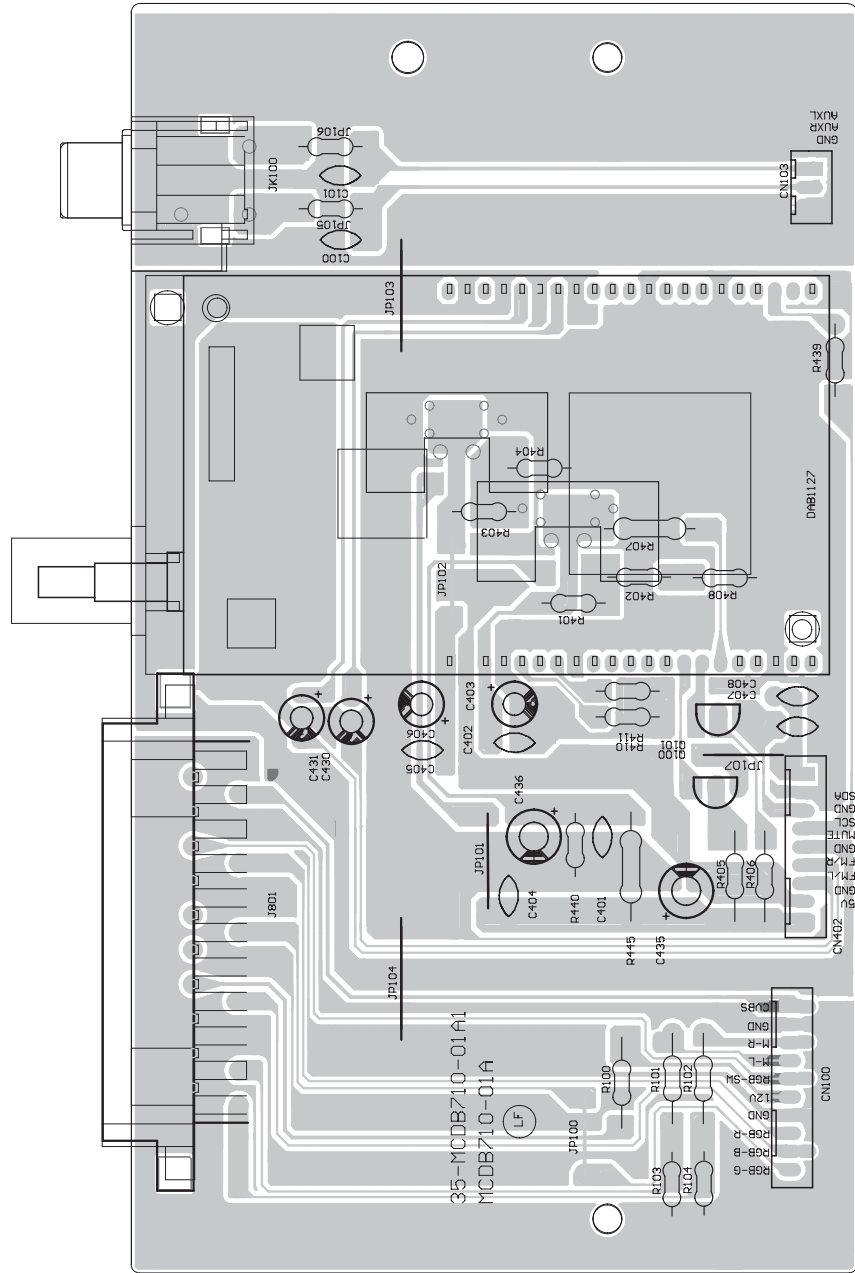
DAB VFD Board--Layout diagram



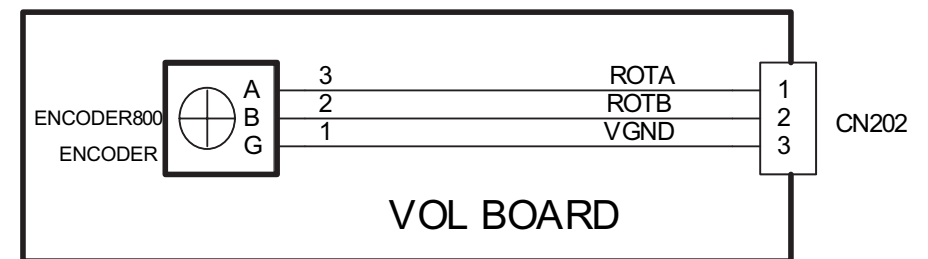
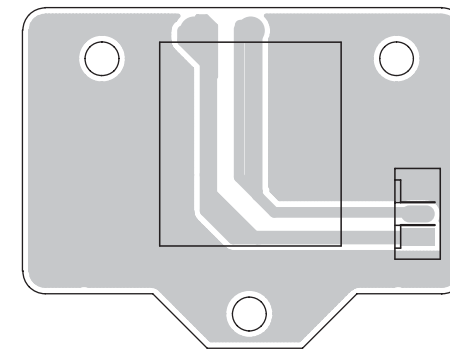
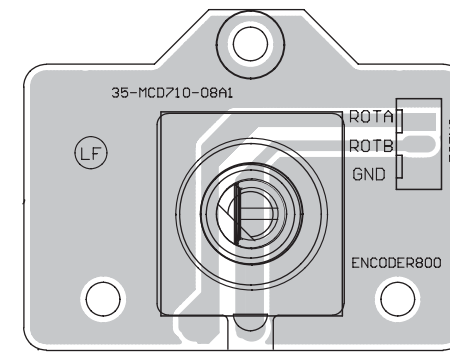
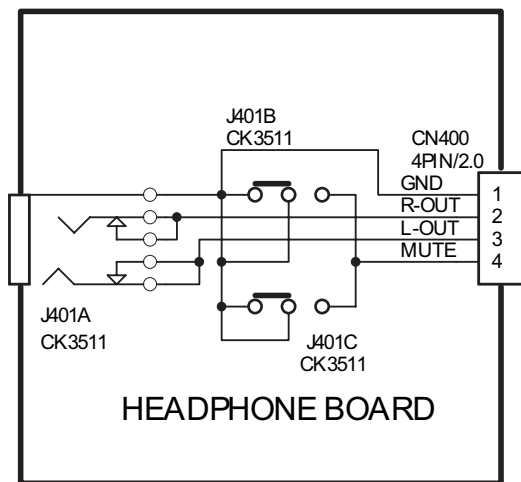
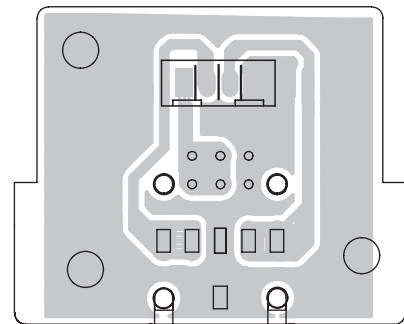
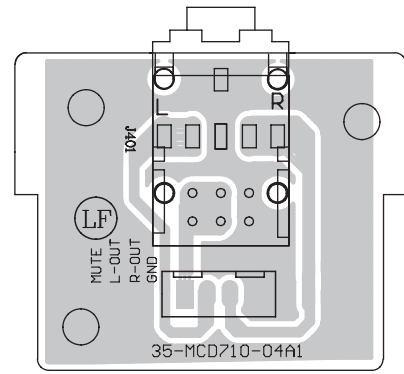
Data Transfer Board--Circuit diagram



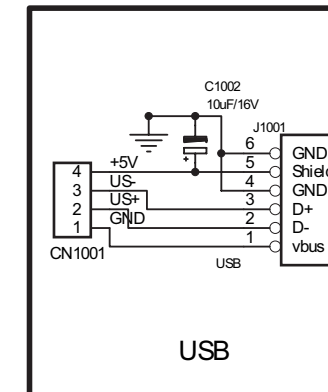
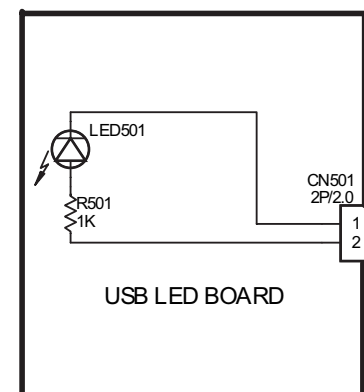
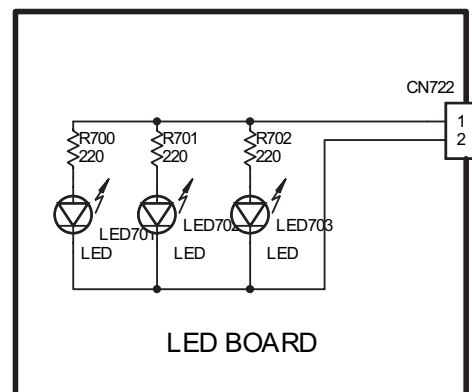
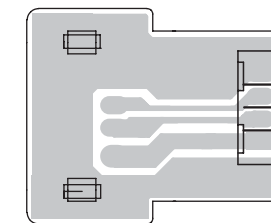
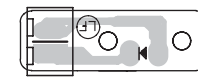
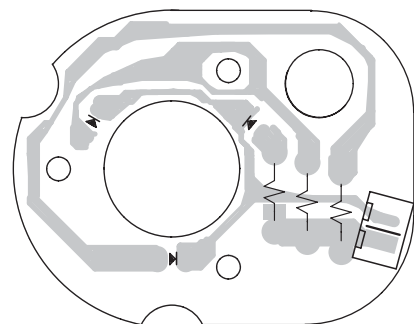
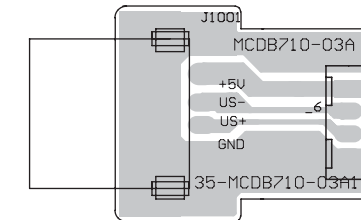
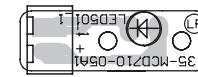
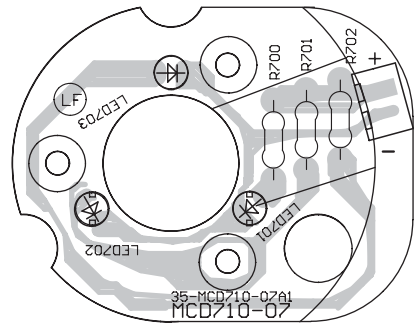
Data Transfer Board--Layout diagram



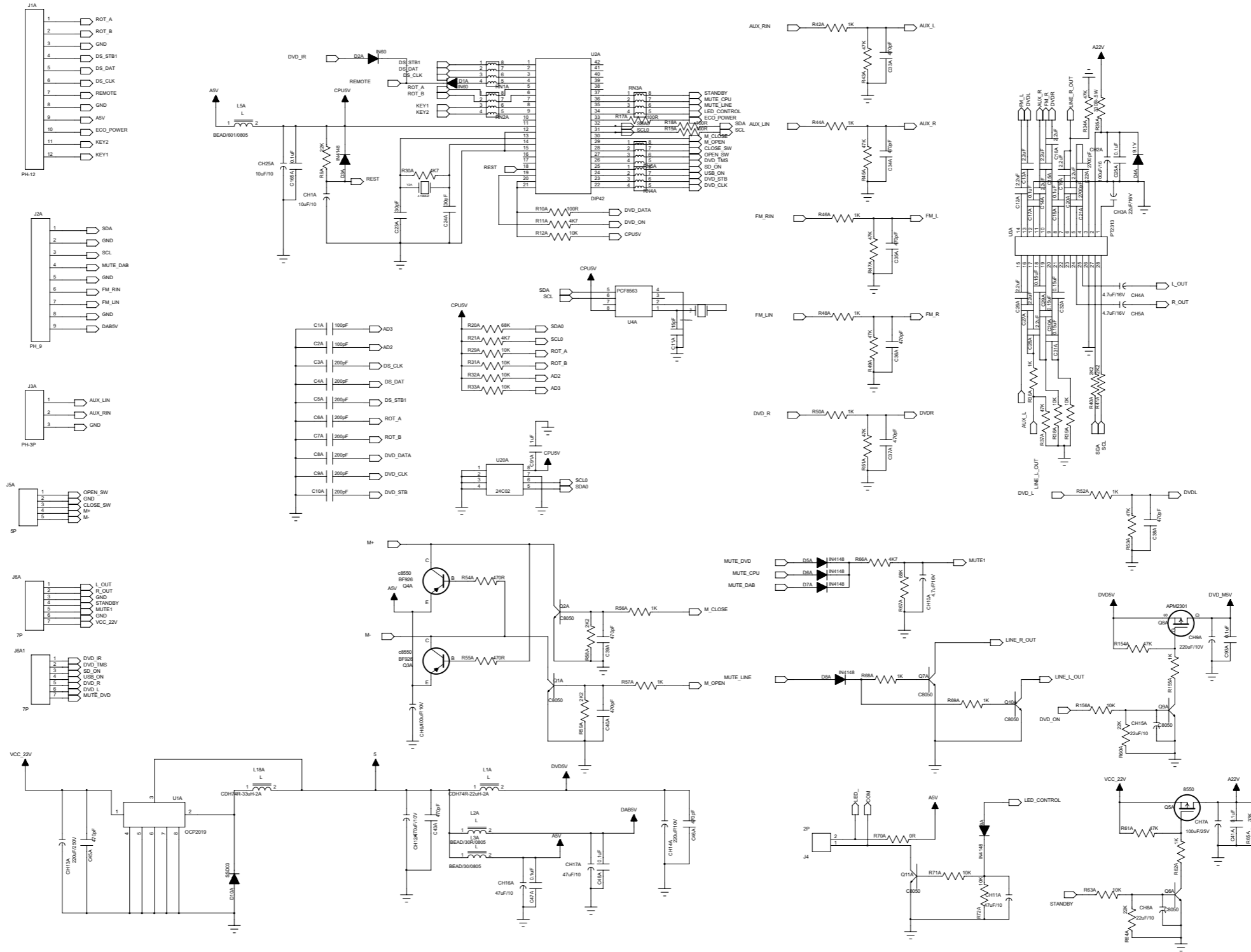
Headphone&Volume Board--Layout&circuit diagram



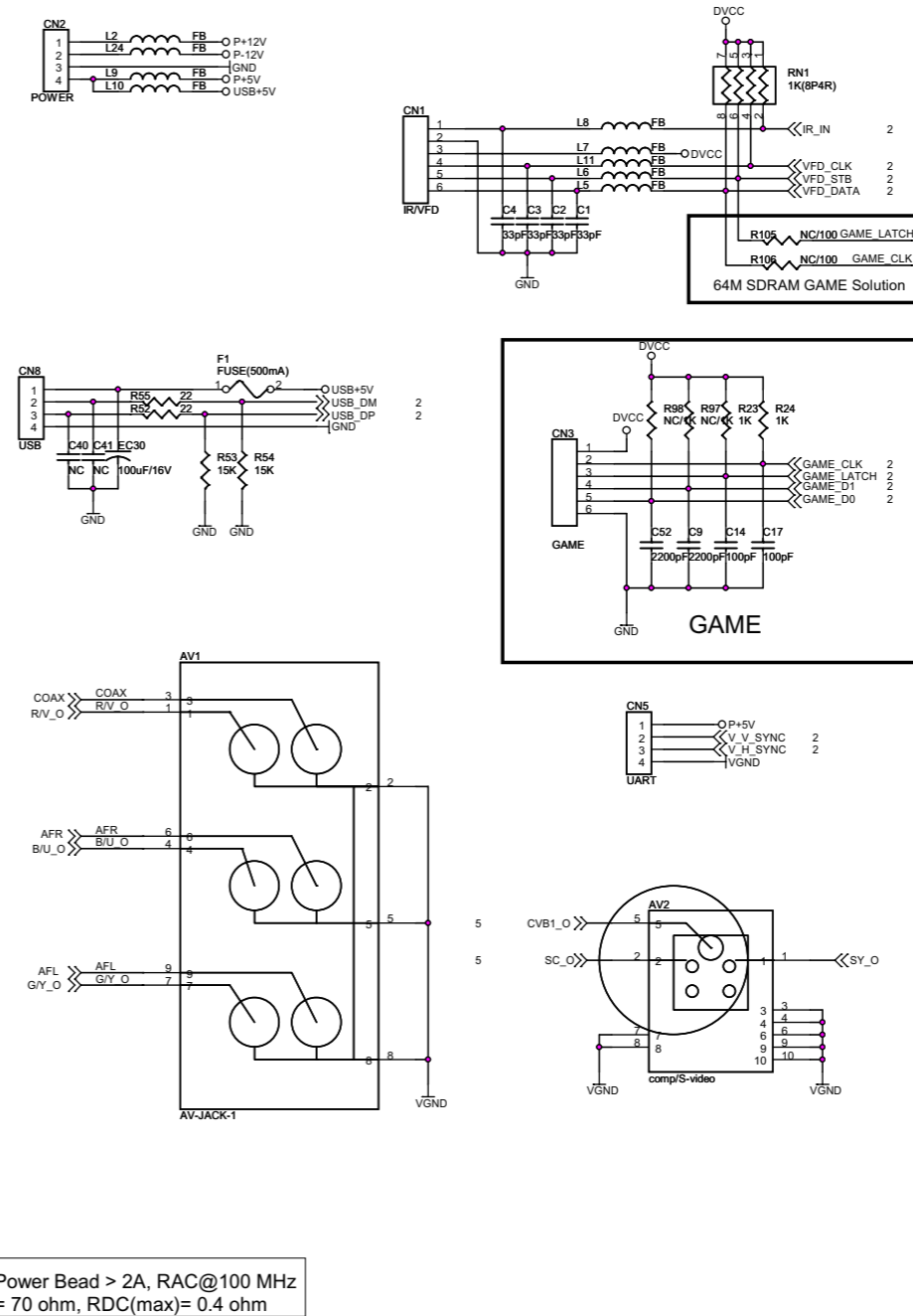
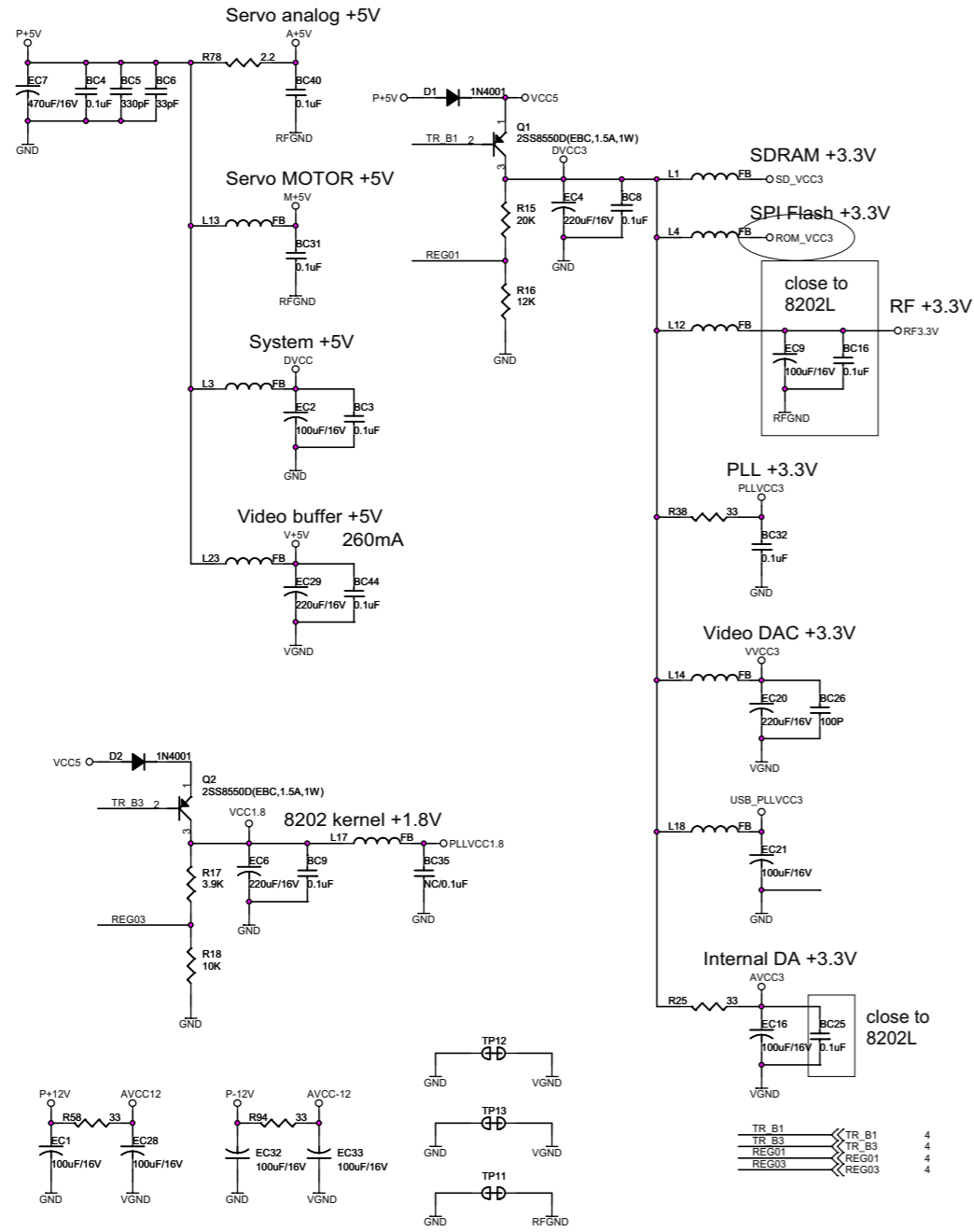
Lamp,USB Lamp&USB Board--Layout&circuit diagram



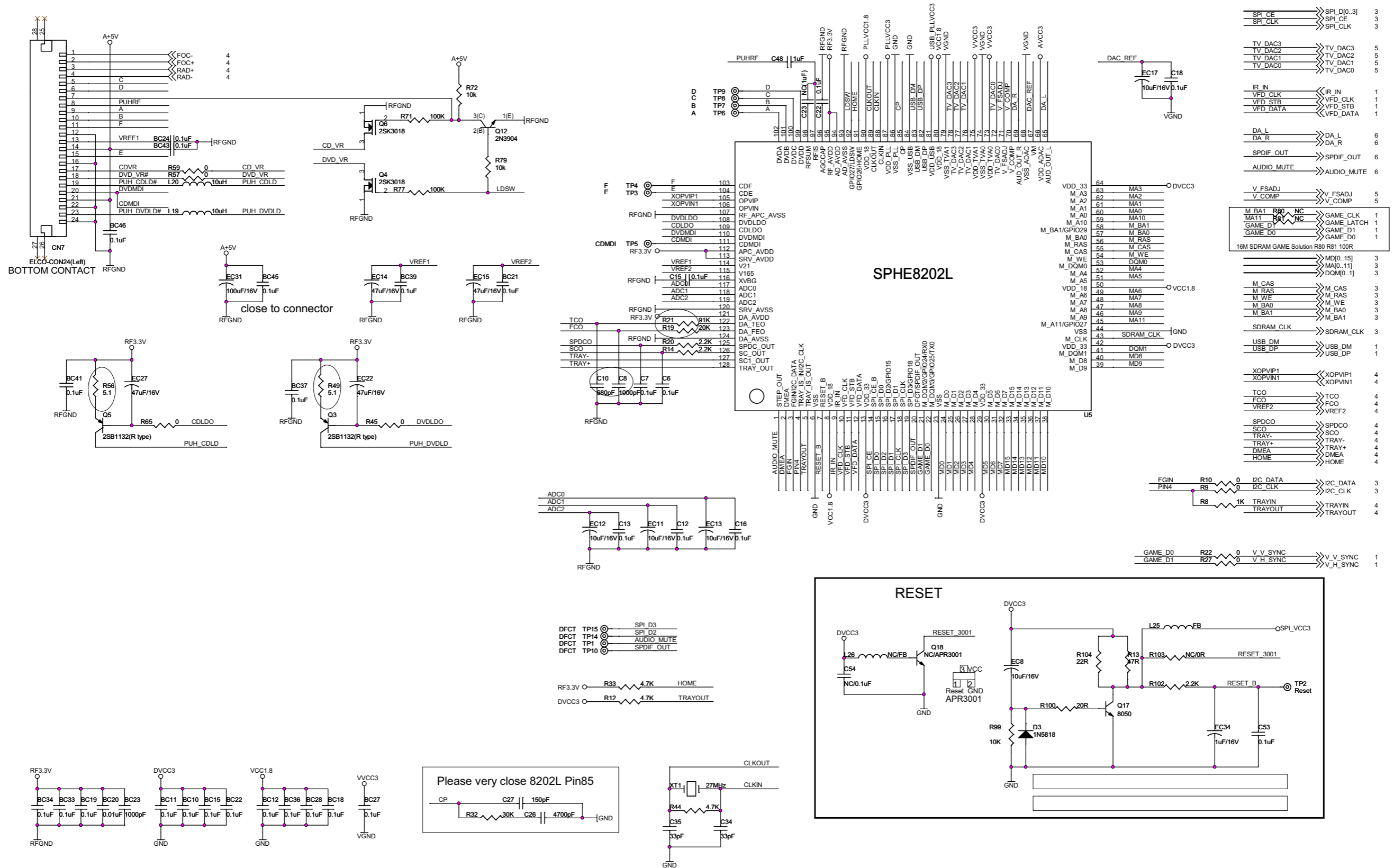
Decoder Board--Circuit diagram



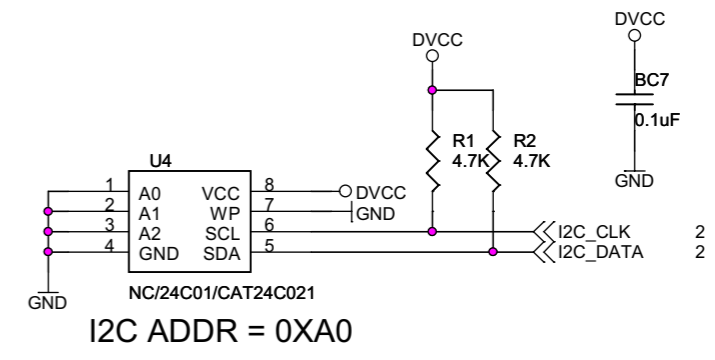
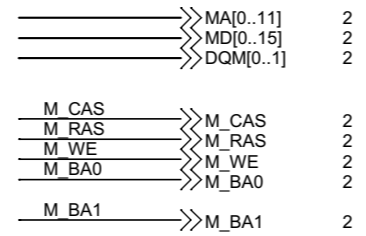
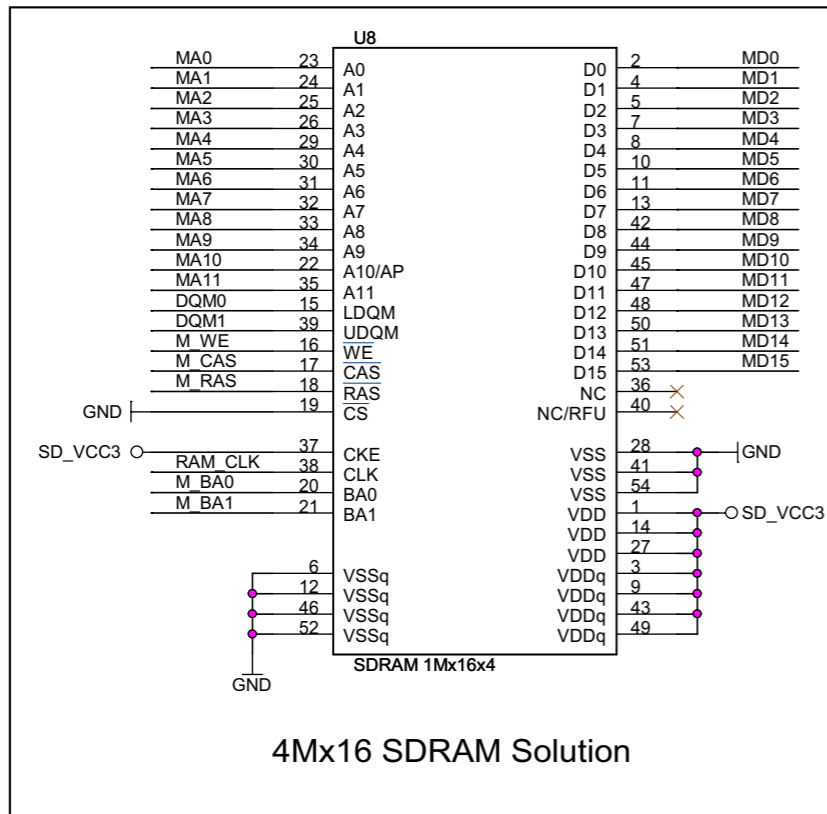
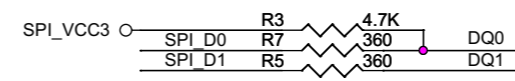
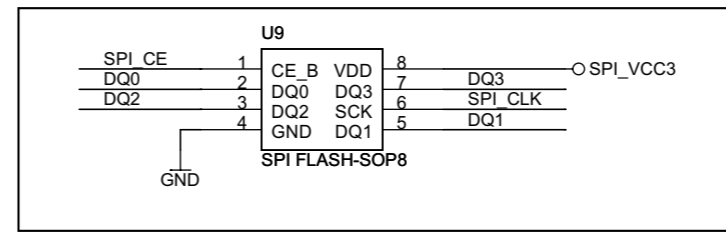
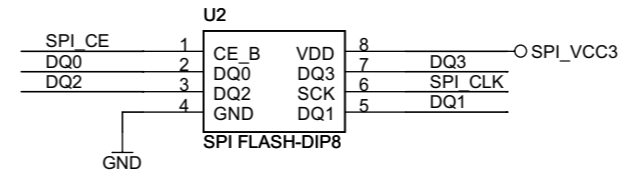
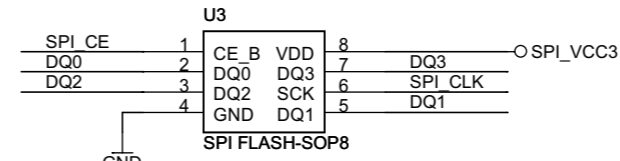
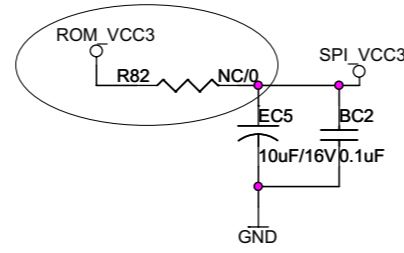
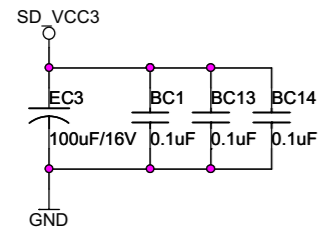
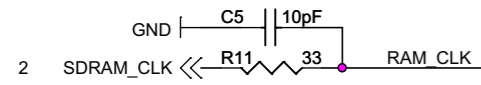
Decoder Board--Circuit diagram



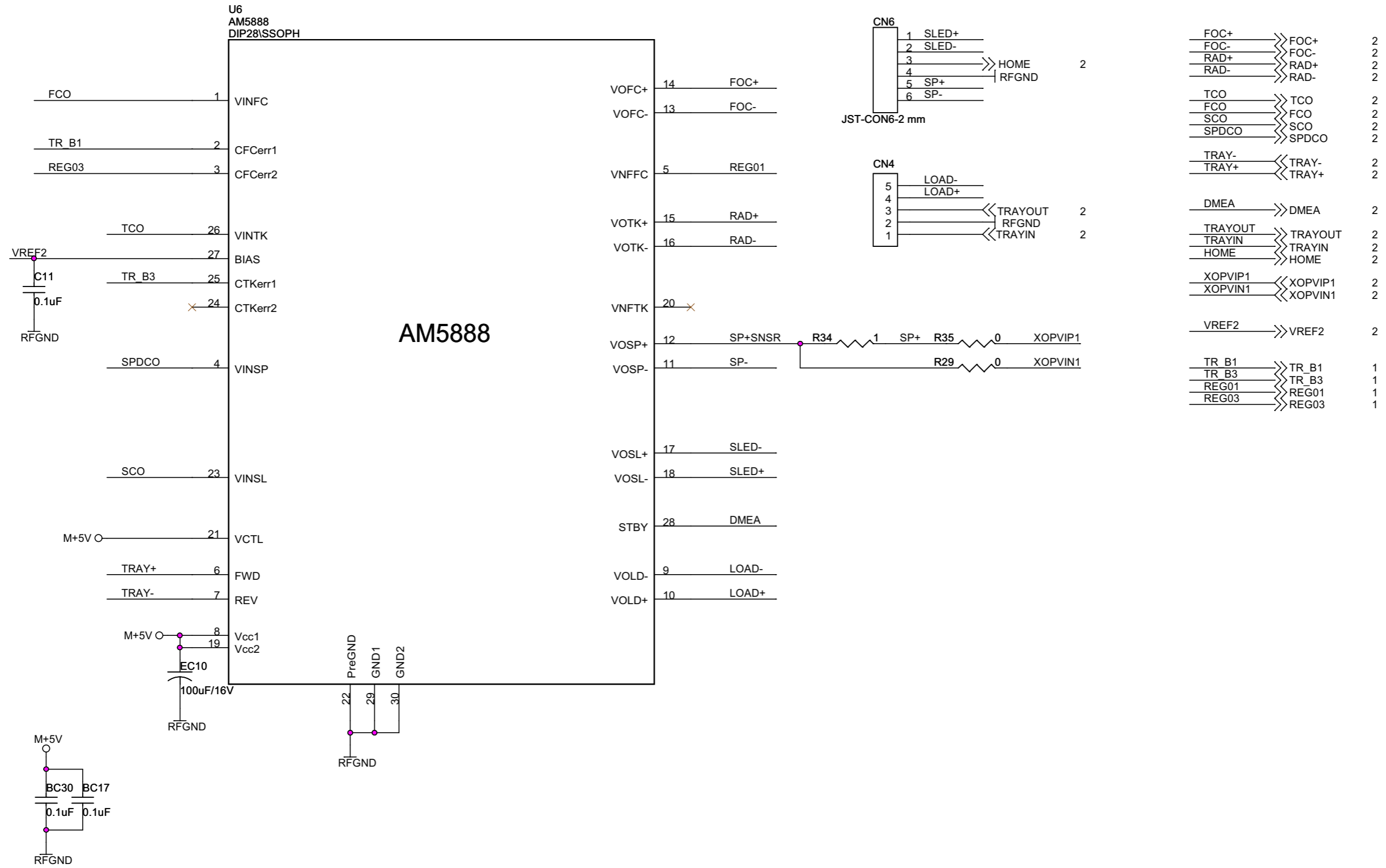
Decoder Board--Circuit diagram



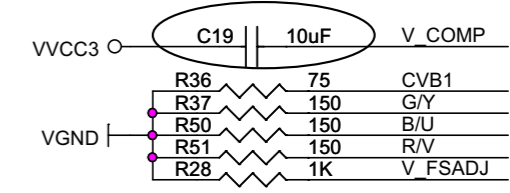
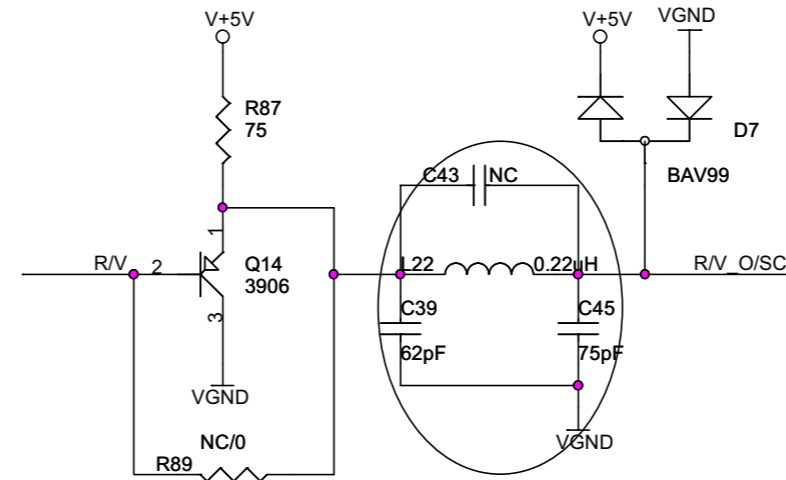
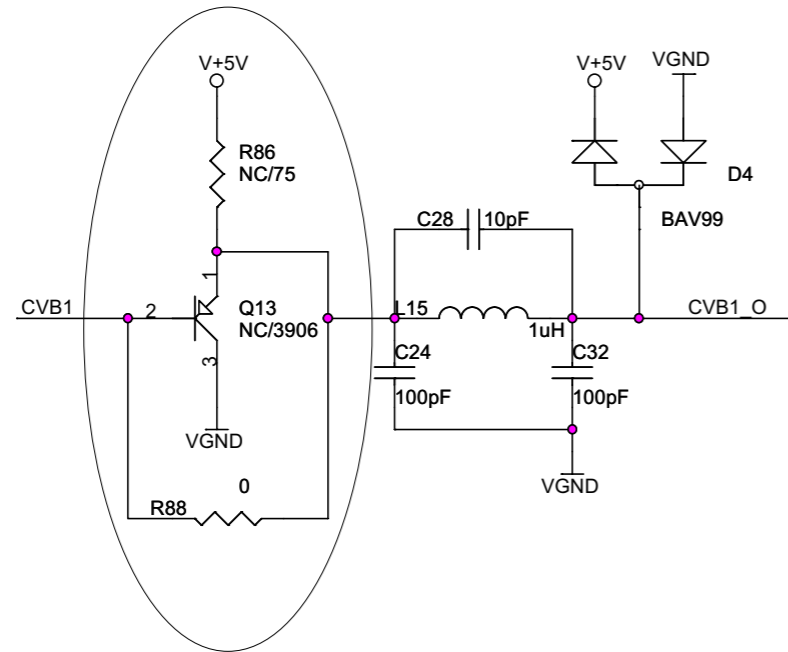
Decoder Board--Circuit diagram



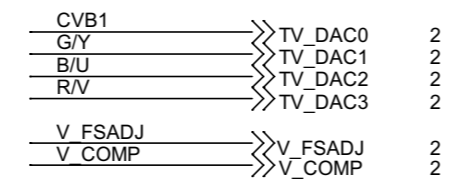
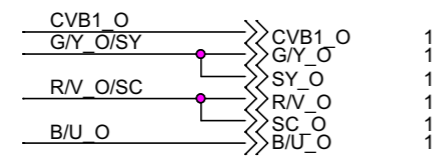
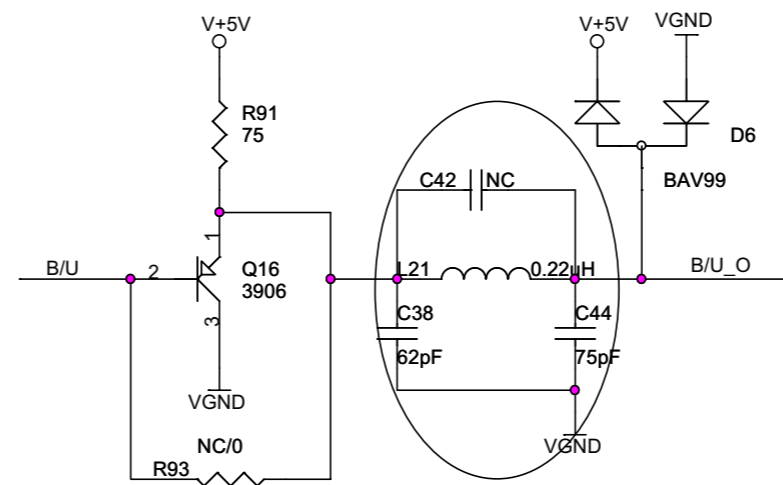
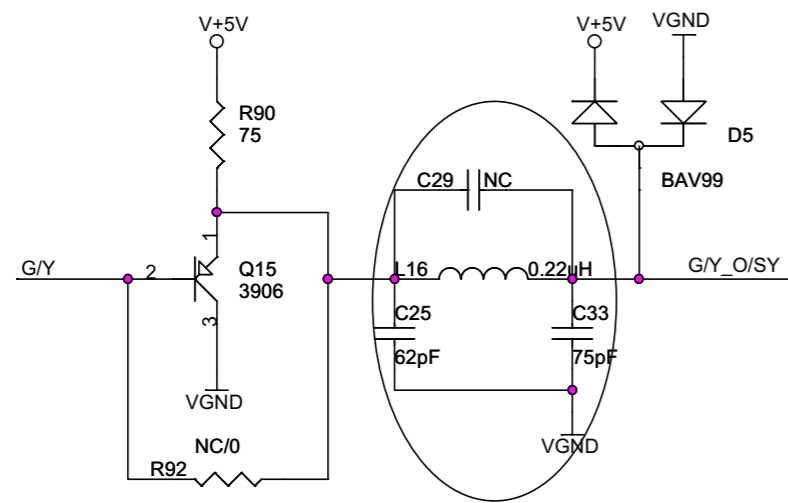
Decoder Board--Circuit diagram



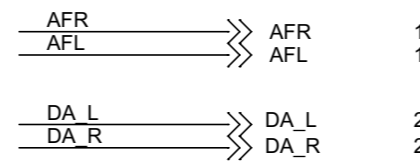
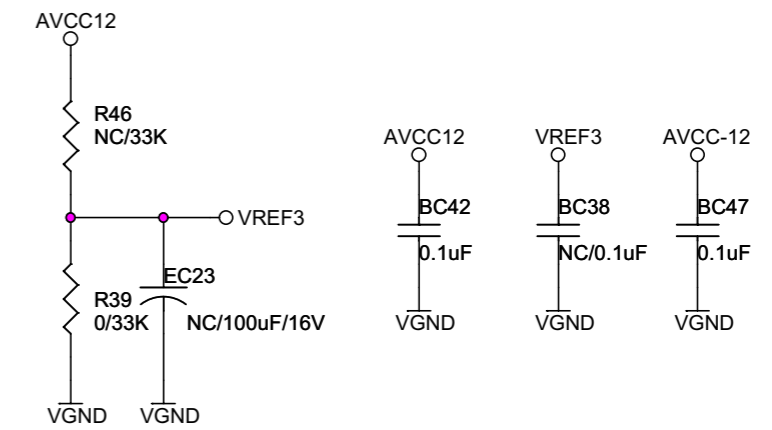
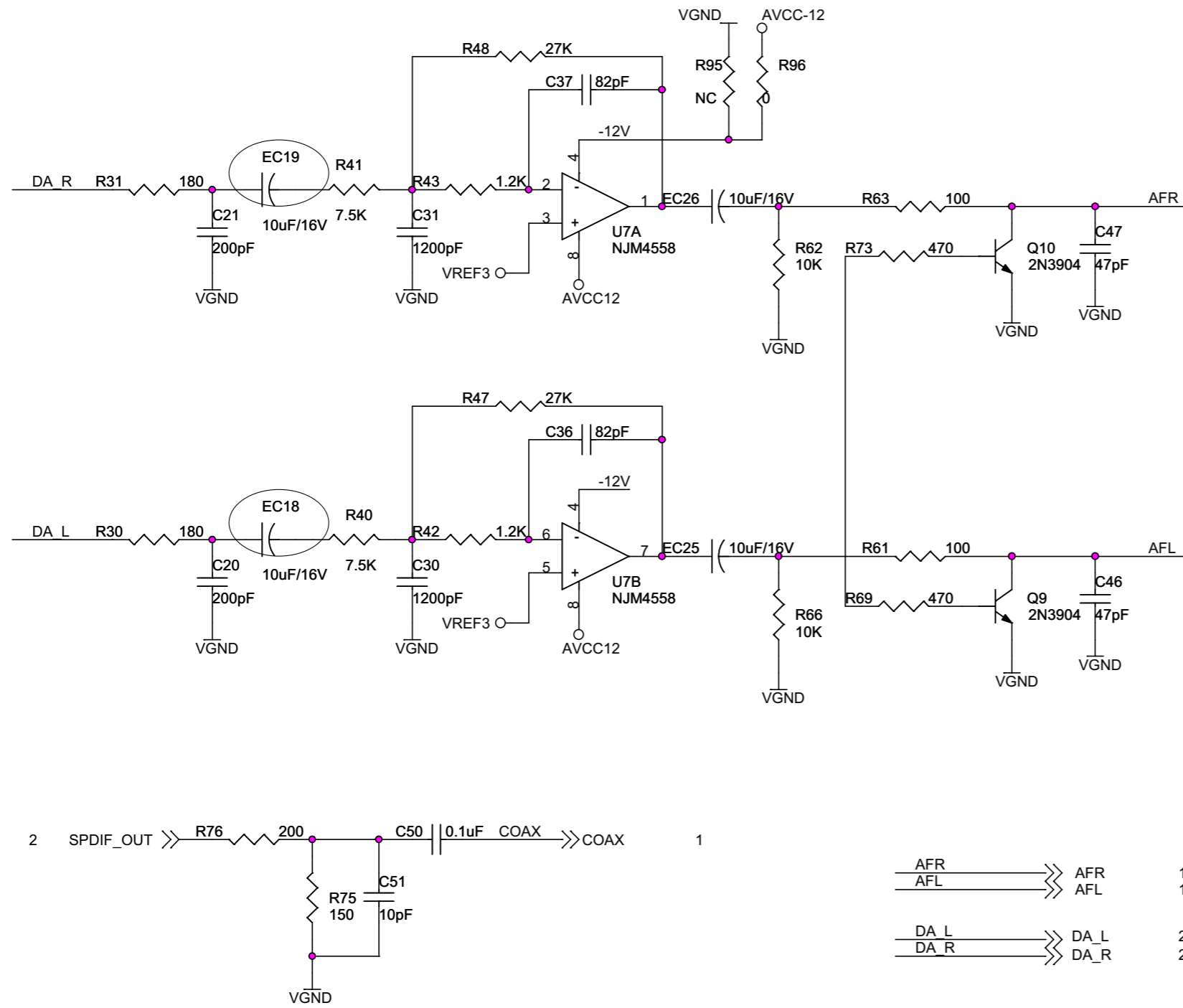
Decoder Board--Circuit diagram



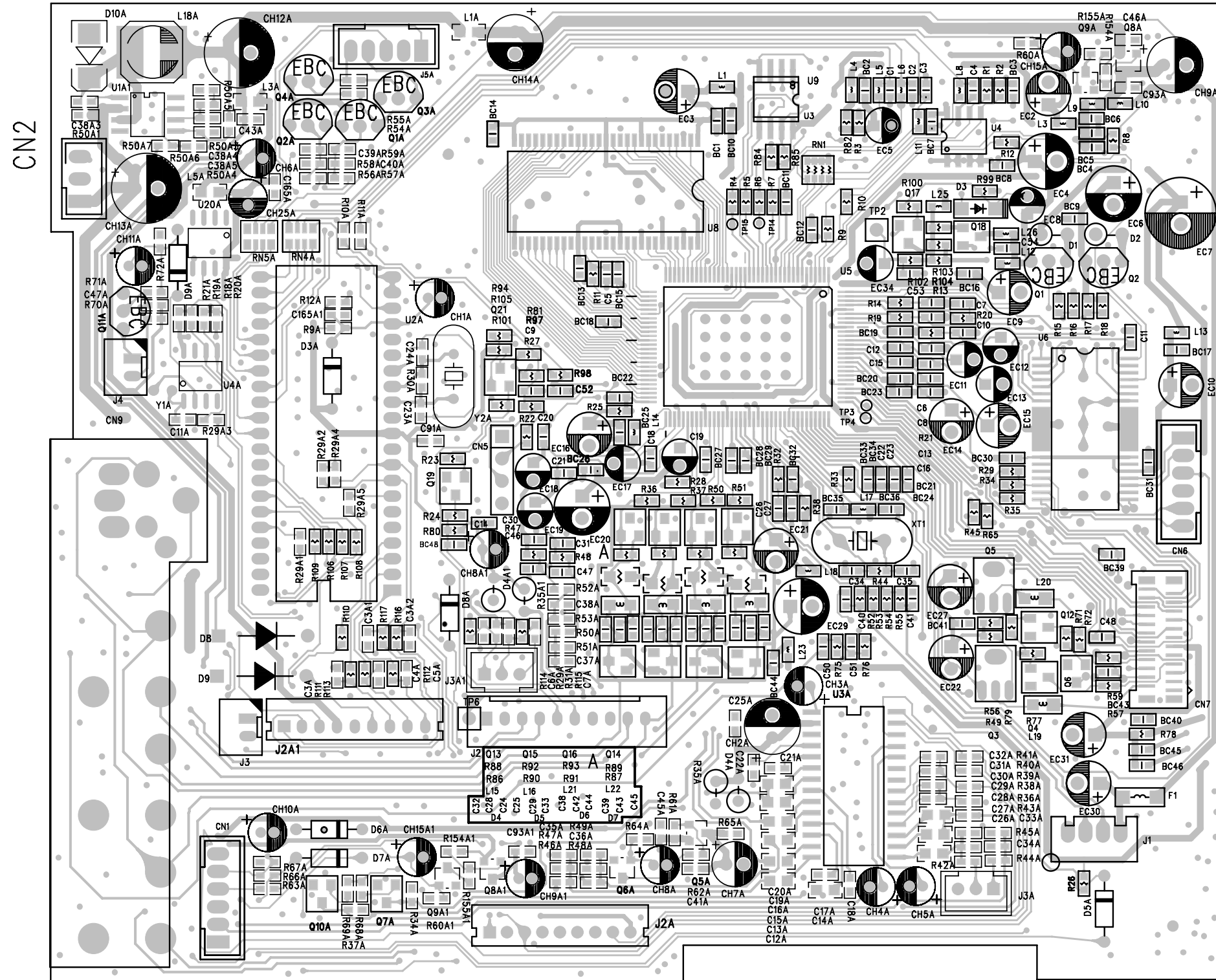
TV0	TV1	TV2	TV3
CVB	Y	Cb	Cr
CVB	Y(S-Video)	CVB	C(S-Video)
CVB	G	B	R



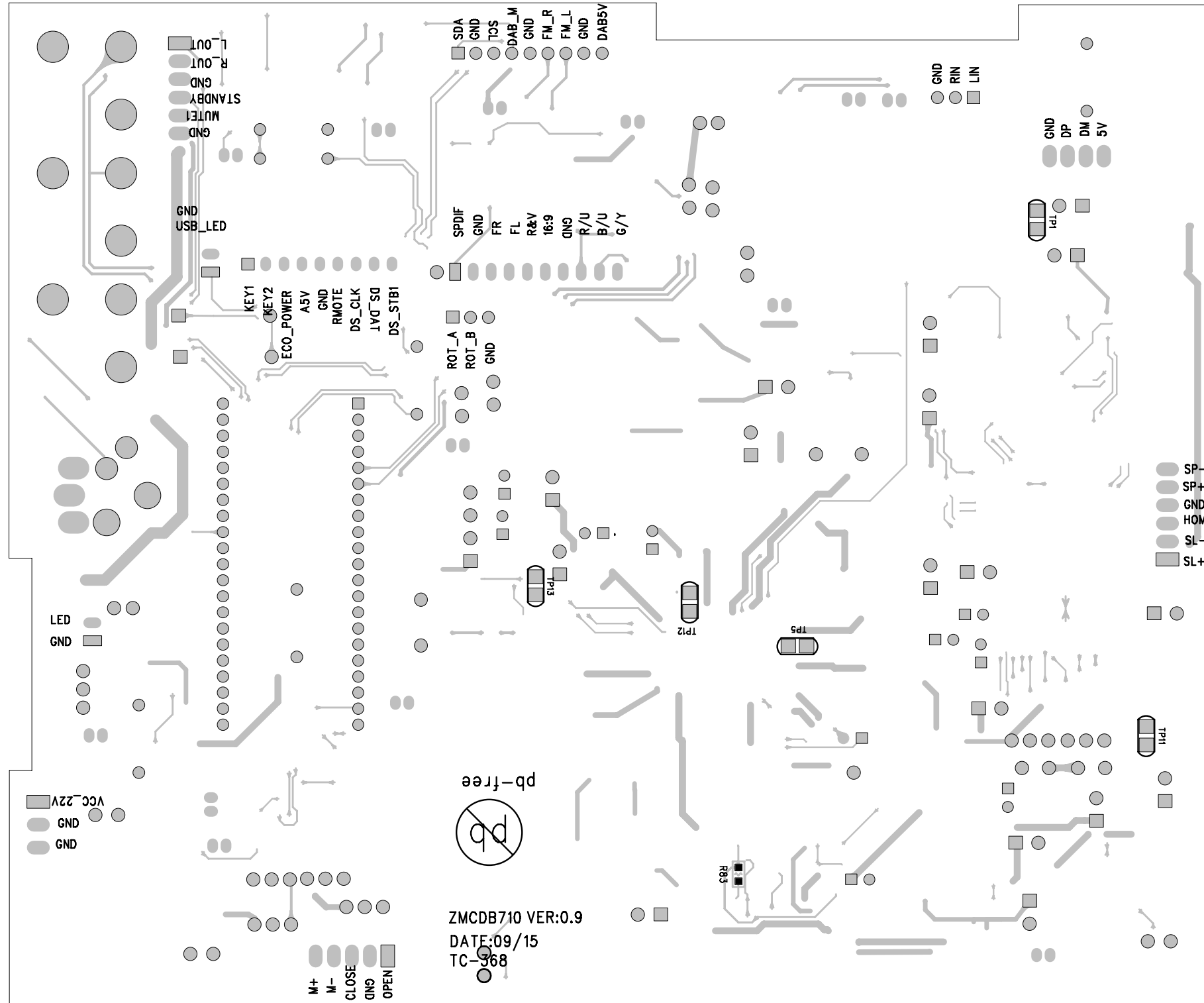
Decoder Board--Circuit diagram



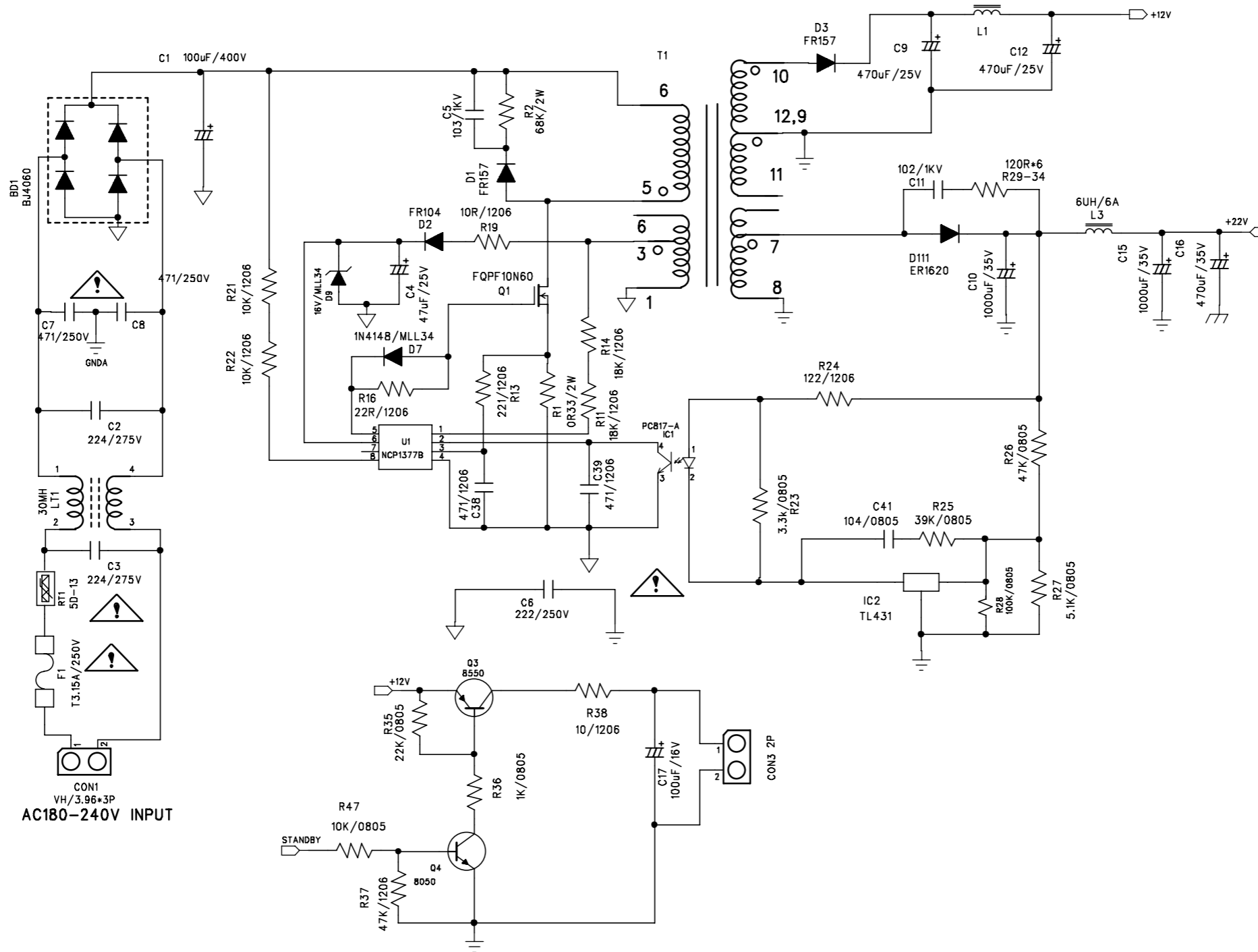
Decoder Board--Layout diagram - Top



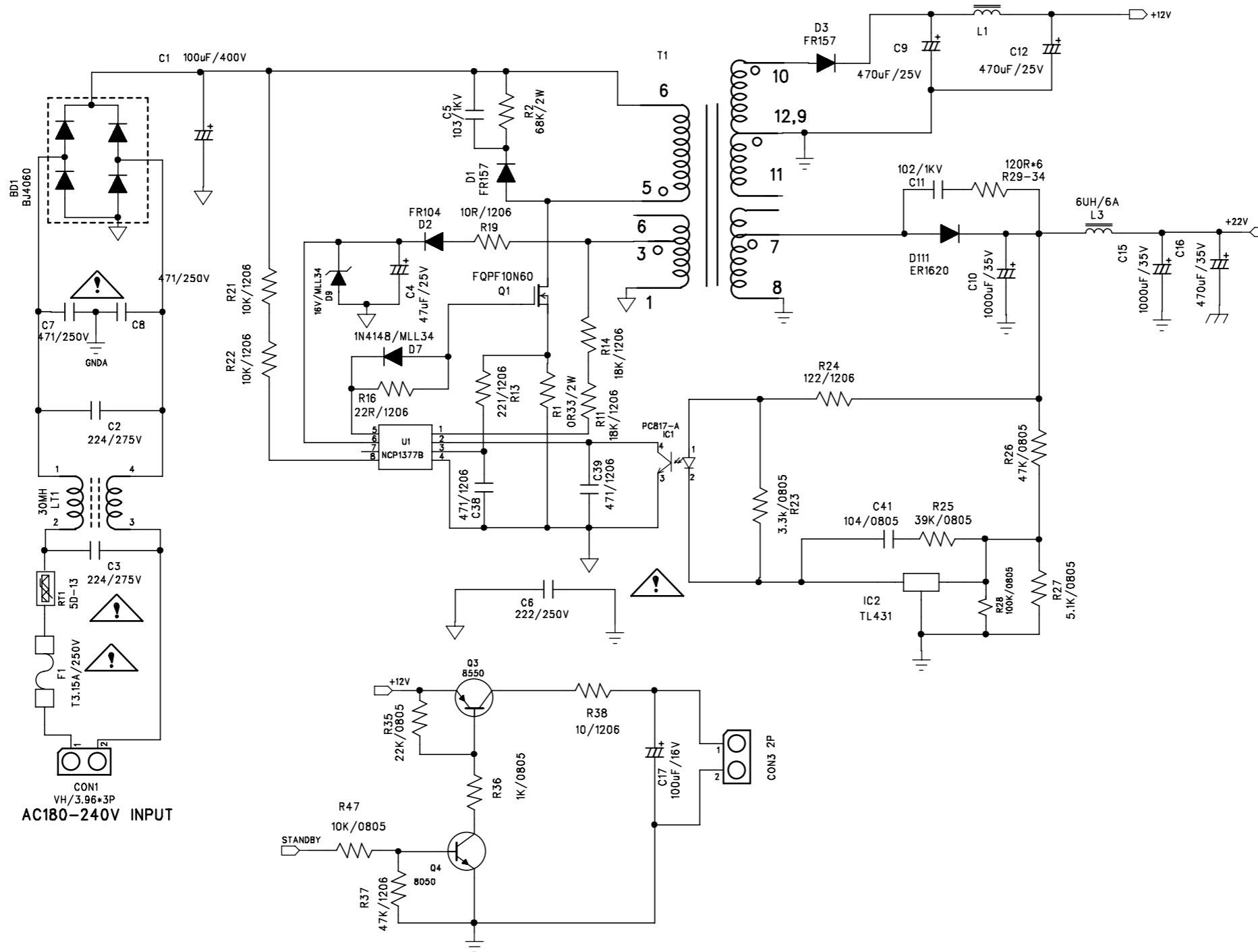
Decoder Board--Layout diagram - Bottom



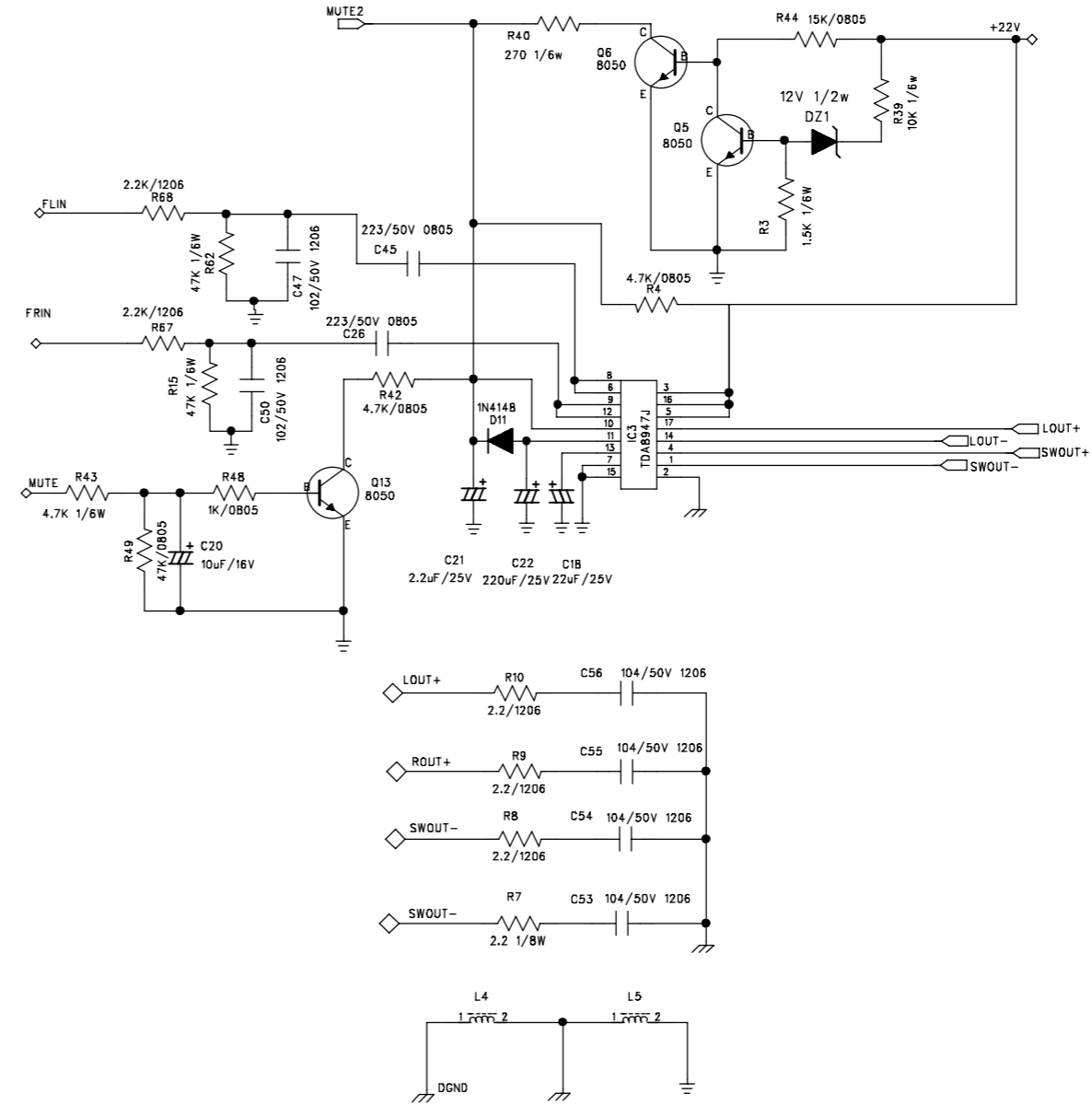
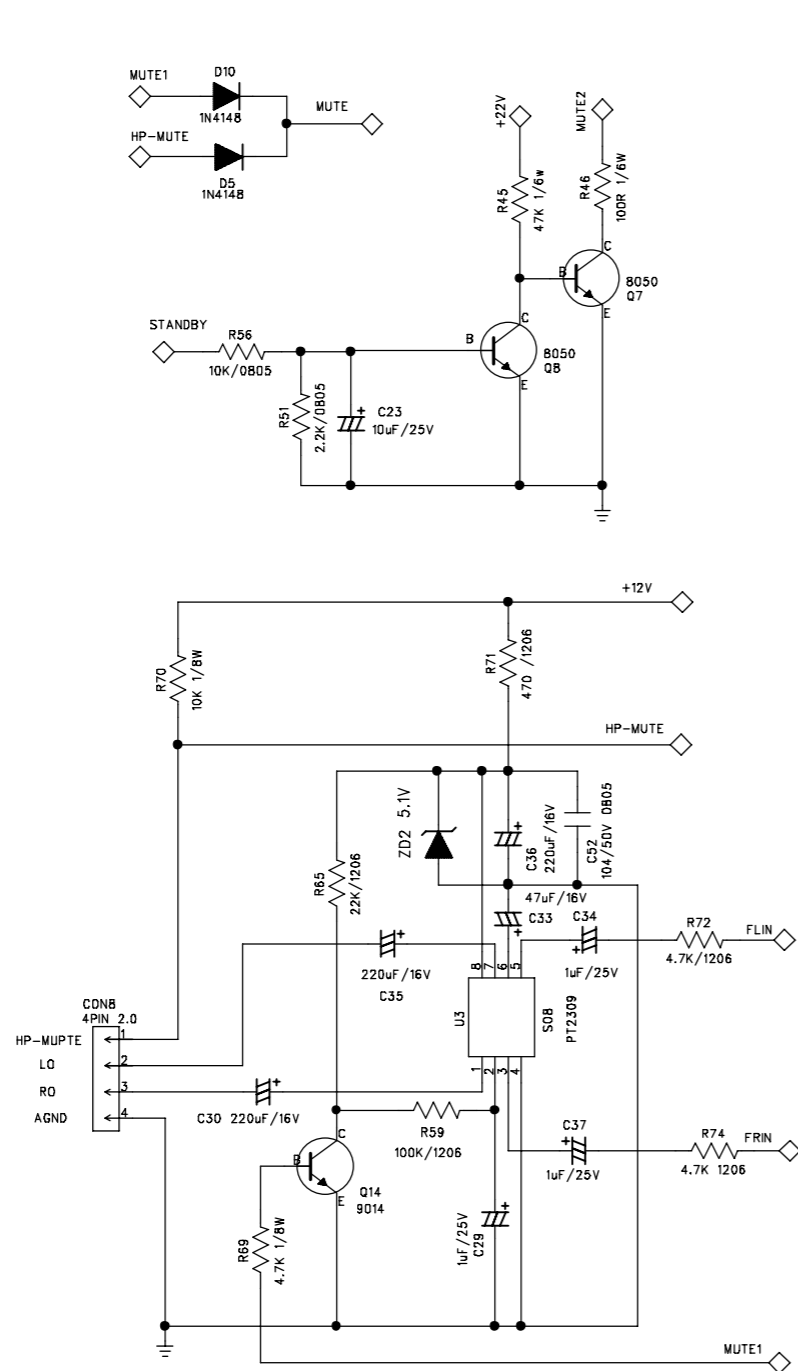
Power Board--Circuit diagram



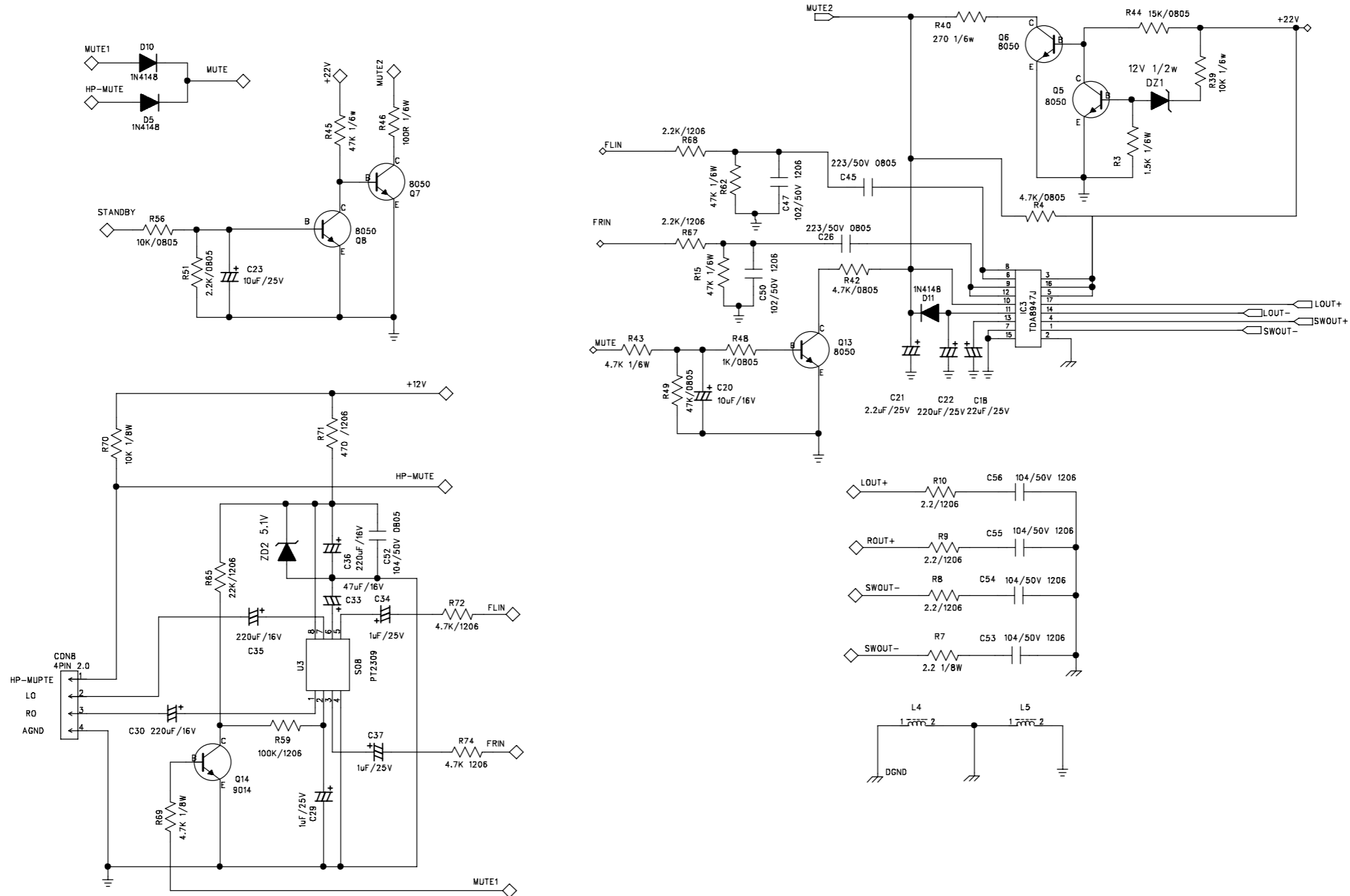
Power Board--Circuit diagram



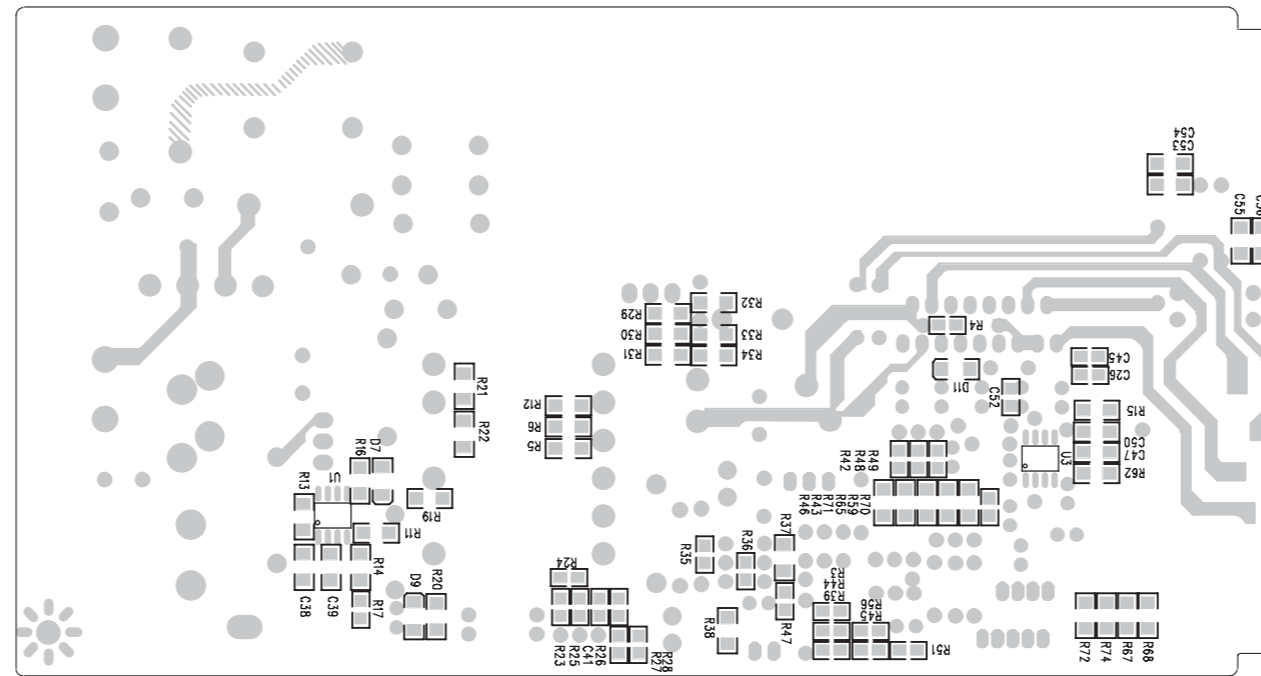
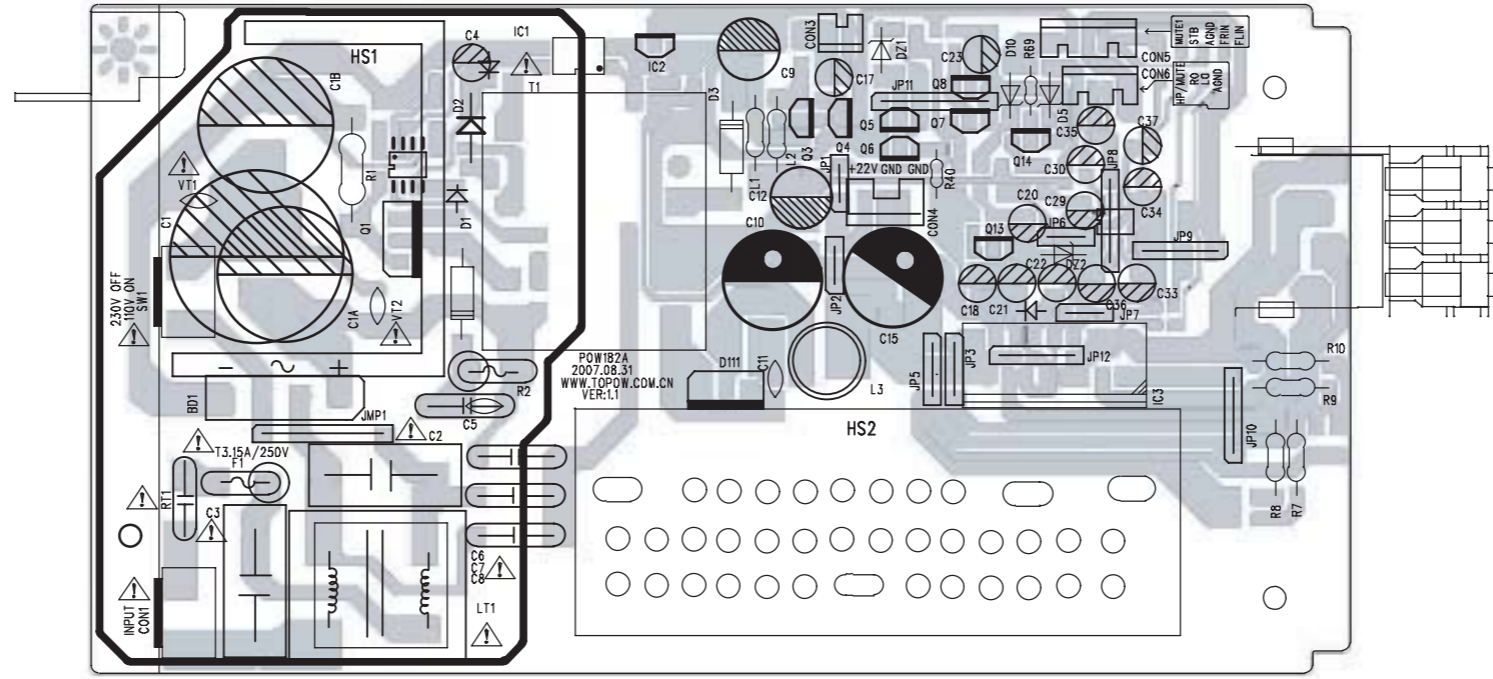
Power Board--Circuit diagram



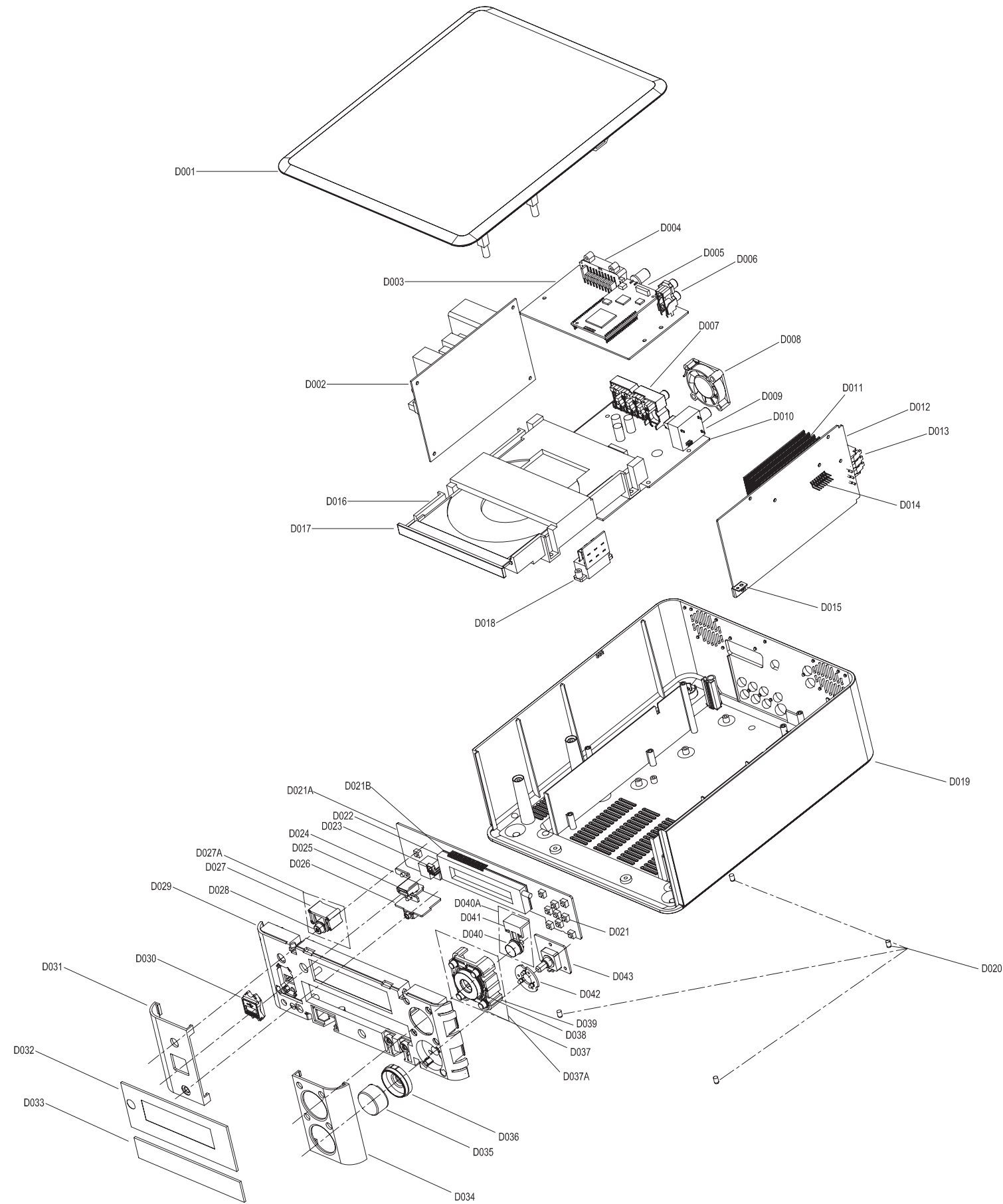
Power Board--Circuit diagram



Power Board-Layout diagram



Explode View



ACCESSORIES PARTS LIST

996510014871	REMOTE CONTROL ASSY PRC501-21
996510014872	SPEAKER CASING PARTS ASSY (L)
996510014873	SPEAKER CASING PARTS ASSY(R)
996500040998	DAB ANTENNA SPEC 1.8M
994000005078	AUDIO SINGLE WIRE W/RCA 1.5M

MECHANICAL&MISCELLANEOUS PARTS

D027A		STANDBY BUTTON ASS'Y
M013A	996510007831	MCD710 STANDBY BUTTON BRACKET
M013B	996510007832	MCD710 STANDBY BUTTON
D030	996510014862	USB LIGHT GUIDE ASSY
D037A		FUNCTION BUTTON ASS'Y
M014A	996510007830	MCD710 BUTTON BRACKET
M014B	996510007869	MCD710 BEARING KNOB
M014C	996510007833	MCD710 FUNCTION -BUTTON
M014D	996510007836	MCD710 FUNTION-KNOB OPEN/CLOSE
M014E	996510007837	MCD710 FUNTION-BUTTON(STOP)
D040A		CENTER BUTTON ASS'Y
M012A	996510007829	MCD710 CENTER BUTTON BRACKET
M012B	996510007870	MCD710 KNOB
D042	996510007821	LAMP PCB ASSY MCD710
D043	996510007824	VOLUME PCB ASSY MCD710
A	996510014868	POWER CORD 1.95m VH3.96 VDE
B	996510014869	FLAT FLEXIBLE CABLE 24PX150 A
D001	996510011821	MCD710 TOP COVER
D002	996510013234	AMP/POWER BOARD ASSY
D008	996510008413	MINI FAN RDM4010S DC12V/0.07A
D017	996510014867	DVD DOOR(FOR MCDB710)
D019	996510014865	BOTTOM CABINET
D029	996510010508	PLASTIC FRONT-PANEL(HIPS)
D031	996510014863	ALUMINUM PANEL(L)
D032	996510010548	BIG LENS PMMA
D033	996510014866	SMALL LENS(FOR MCDB710)
D034	996510014864	ALUMINUM PANEL(R)
IC102	996510014860	MCU ASSY
D024	996510007823	USB LAMP PCB ASSY MCD710
D025	996510014859	USB BOARD ASSY
D026	996510007820	HEADPHONE PCB ASSY MCD710
D016	996510012338	DVD MECHANISM ASSY -79
D010	996510014861	DECODER BOARD ASSY

ELECTRICAL PARTS - DATA TRANSFER BOARD

IC401	996510014857	IC AMC1117-0333J(SMD)
IC402	996510014857	IC AMC1117-0333J(SMD)
J801	996510010544	SOCKET 21PINS CS-106 1501D6
JK100	996510000228	RCA SOCKET 2p AV2-8.4-13 RD WH
JP1127	996510014858	DAB TUNER BOARD GYRO-1127-I2C

ELECTRICAL PARTS - KEY-PRESS BOARD

B200	996510002975	TRANSFORMER EE13 5V
D208	996510002976	DIODE FR104
DZ200	996510006505	ZENER DIODE 6.2V 1W
LED200	994000004948	LED LAMP(BLUE) /12
S200	994000004961	IR SENSOR BLACK
SW200	996510000020	LIGHT TOUCH SW.
SW201	996510000020	LIGHT TOUCH SW.
SW202	996510000263	LIGHT TOUCH SWITCH 6X6X5
SW203	996510000263	LIGHT TOUCH SWITCH 6X6X5
SW204	996510000020	LIGHT TOUCH SW.
SW205	996510000020	LIGHT TOUCH SW.
SW206	996510000263	LIGHT TOUCH SWITCH 6X6X5
SW207	996510000263	LIGHT TOUCH SWITCH 6X6X5
SW208	996510000020	LIGHT TOUCH SW.
SW209	996510000263	LIGHT TOUCH SWITCH 6X6X5

ELECTRICAL PARTS - DAB DISPLAY BOARD

IC2	996510014855	IC PT6314-05
VFD1	996510014856	VFD DISPLAY 16T-202

Note: Only these parts mentioned in the list are normal service parts.

Factroy Partlist

D021A	MCDB710 KEY-PRESS BOARD ASS'Y
B200	? TRANSFORMER EE13 5V
R203	CARBON FILM RESISTOR 10 1/8W J-52
R226	CARBON FILM RESISTOR 100 1/8W J-52
R220	CARBON FILM RESISTOR 100 1/8W J-52
R219	CARBON FILM RESISTOR 10K 1/8W J-52
R232	CARBON FILM RESISTOR 10K 1/8W J-52
R221	CARBON FILM RESISTOR 1.2K 1/8W J-52
R224	CARBON FILM RESISTOR 1.2K 1/8W J-52
R217	CARBON FILM RESISTOR 20K 1/8W J-52
R222	CARBON FILM RESISTOR 20K 1/8W J-52
R204	CARBON FILM RESISTOR 220 1/8W J-52
R205	CARBON FILM RESISTOR 220 1/8W J-52
R227	CARBON FILM RESISTOR 1K 1/8W J-52
R228	CARBON FILM RESISTOR 1K 1/8W J-52
R211	CARBON FILM RESISTOR 3.3K 1/8W J-52
R210	CARBON FILM RESISTOR 470K 1/8W J-52
R260	CARBON FILM RESISTOR 47 1/8W J-52
R218	CARBON FILM RESISTOR 4.7K 1/8W J-52
R225	CARBON FILM RESISTOR 4.7K 1/8W J-52
R231	CARBON FILM RESISTOR 4.7K 1/8W J-52
R223	CARBON FILM RESISTOR 47K 1/8W J-52
R230	CARBON FILM RESISTOR 4.7 1/4W J-52
R229	CARBON FILM RESISTOR 4.7 1/4W J-52
C233	CERAMIC CAP.104P 50V K-5
C205	ELECTROLYTIC CAP.4.7u 50V L-5 4X5
C232	ELECTROLYTIC CAP.470u 16V L-5 8X11.5/12
C234	NONINDUCTIVE CAP.334J 100V K-5
C235	ELECTROLYTIC CAP.220u 35V L-5 8X11.5
C219	ELECTROLYTIC CAP.47u 16V L-5 5X5
L201	INDUCTOR 200U 6X5
D204	DIODE 4148-52
LED200	LED 3R4CB71D-2B-208 (BLUE)
DZ200	ZENER DIODE 6.2V 1W
D208	DIODE FR104
Q208,209	TRANSISTOR SS8050-5 1.5A
S200	IR SENSOR SMALL BLACK
SW200	TACT SWITCH 6X6X5 130g
SW201	TACT SWITCH 6X6X5 130g
SW204	TACT SWITCH 6X6X5 130g
SW205	TACT SWITCH 6X6X5 130g
SW208	TACT SWITCH 6X6X5 130g
SW202	TACT SWITCH 6X6X5 250g
SW203	TACT SWITCH 6X6X5 250g
SW206	TACT SWITCH 6X6X5 250g
SW207	TACT SWITCH 6X6X5 250g
SW209	TACT SWITCH 6X6X5 250g
CN202	PINS 2.54/17
	KEY-PRESS PCB 35-MCDB710-02A1
JP201	BARE WIRE Φ 0.6X40mm (375m=1kG)
JP102	BARE WIRE Φ 0.6X40mm (375m=1kG)
JP205	BARE WIRE Φ 0.6X40mm (375m=1kG)
JP207	BARE WIRE Φ 0.6X40mm (375m=1kG)
JP204	BARE WIRE Φ 0.6X40mm (375m=1kG)
JP203	BARE WIRE Φ 0.6X40mm (375m=1kG)
	MCD710 IR SENSOR BRACKET(ABS)

Factory Partlist

D021B	NE-1204D2 DAB DISPLAY BOARD ASS'Y
C2	CHIP CAP.104P 100V M (0805) Y5V
C3	CHIP CAP.104P 100V M (0805) Y5V
C5	CHIP CAP.104P 100V M (0805) Y5V
C6	CHIP CAP.104P 100V M (0805) Y5V
R5	CHIP RESISTOR 0 1/16W J (0805)
R1	CHIP RESISTOR 0 1/16W J (0805)
R8	CHIP RESISTOR 1K 1/16W J (0805)
R9	CHIP RESISTOR 1K 1/16W J (0805)
R10	CHIP RESISTOR 1K 1/16W J (0805)
R11	CHIP RESISTOR 1K 1/16W J (0805)
R13	CHIP RESISTOR 1K 1/16W J (0805)
R14	CHIP RESISTOR 1K 1/16W J (0805)
R15	CHIP RESISTOR 1K 1/16W J (0805)
R16	CHIP RESISTOR 1K 1/16W J (0805)
R17	CHIP RESISTOR 1K 1/16W J (0805)
R18	CHIP RESISTOR 1K 1/16W J (0805)
R6	CHIP RESISTOR 56K 1/16W J (0805)
IC2	IC PT6314-05
VFD1	VFD DISPLAY 16T-202
D003	MCDB710 DATA TRANSFER BOARD ASS'Y
R100	CARBON FILM RESISTOR 10 1/4W J-52
R410	CARBON FILM RESISTOR 100 1/8W J-52
R411	CARBON FILM RESISTOR 100 1/8W J-52
R439	CARBON FILM RESISTOR 100 1/8W J-52
R101	CARBON FILM RESISTOR 100 1/8W J-52
R102	CARBON FILM RESISTOR 100 1/8W J-52
R408	CARBON FILM RESISTOR 100 1/8W J-52
R404	CARBON FILM RESISTOR 1K 1/8W J-52
R402	CARBON FILM RESISTOR 1K 1/8W J-52
R103	CARBON FILM RESISTOR 10K 1/8W J-52
R104	CARBON FILM RESISTOR 10K 1/8W J-52
R407	CARBON FILM RESISTOR 10K 1/8W J-52
R405	CARBON FILM RESISTOR 10K 1/8W J-52
R406	CARBON FILM RESISTOR 10K 1/8W J-52
R445	CARBON FILM RESISTOR 4.7 1/4W J-52
R401	CARBON FILM RESISTOR 680 1/8W J-52
R403	CARBON FILM RESISTOR 680 1/8W J-52
R440	CARBON FILM RESISTOR 4.7K 1/8W J
C402	CERAMIC CAP.103P 50V K-5
C405	CERAMIC CAP.103P 50V K-5
C404	CERAMIC CAP.104P 50V K-5
C401	CERAMIC CAP.104P 50V K-5
C407	CERAMIC CAP.22p 50V ±1p-5
C408	CERAMIC CAP.22p 50V ±1p-5
C403	ELECTROLYTIC CAP.100u 16V L-5 5X11
C406	ELECTROLYTIC CAP.100u 16V L-5 5X11
C435	ELECTROLYTIC CAP.1000u 10V L 10X12/12.5
C430	ELECTROLYTIC CAP.1u 50V M-5 4X5
C431	ELECTROLYTIC CAP.1u 50V M-5 4X5
C436	ELECTROLYTIC CAP.470u 10V L-5 6.3X11

Factory Partlist

Q100	TRANSISTOR 9014C-5
Q101	TRANSISTOR 9014C-5
IC401	IC AMC1117-0333J(SMD)
IC402	IC AMC1117-0333J(SMD)
JK100	RCA SOCKET 2P AV2-8.4-13 RED/WHITE
CN103	PINS CONNECTOR 2.0/3P
CN402	PINS CONNECTOR 2.0/9P
CN100	PINS CONNECTOR 2.0/10P
J801	21PINS SOCKET CS-106
DAB1127	PINS CONNECTOR 1X21P 2.0X6.35-180°BLACK
JP1127	DAB TUNER BOARD GYRO-1127-I2C
	DATA TRANSFER PCB 35-MCDB710-01A1
DAB BOARD	DR-H300 COLUMN BRACKET H=8.0
	SCREW 2 X 6 PA (PLATING)
R100	BARE WIRE $\Phi 0.6 \times 40$ mm (375m=1kG)
R101	BARE WIRE $\Phi 0.6 \times 40$ mm (375m=1kG)
JP100	BARE WIRE $\Phi 0.6 \times 40$ mm (375m=1kG)
JP102	BARE WIRE $\Phi 0.6 \times 40$ mm (375m=1kG)
JP103	BARE WIRE $\Phi 0.6 \times 40$ mm (375m=1kG)
JP104	BARE WIRE $\Phi 0.6 \times 40$ mm (375m=1kG)
JP107	BARE WIRE $\Phi 0.6 \times 40$ mm (375m=1kG)
D026	MCD710 HEADPHONE BOARD ASS'Y
EARPHONE JACK FOOT	AXIAL FIXED INDUCTOR 100u
J201	HEADPHONE JACK $\Phi 3.5$ TE-03501S-11
	HEADPHONE PCB 35-MCD710-04A1
D042	MCD710 LAMP BOARD ASS'Y
R700	CARBON FILM RESISTOR 220 1/8W J-52
R701	CARBON FILM RESISTOR 220 1/8W J-52
R702	CARBON FILM RESISTOR 220 1/8W J-52
LED701	LED $\Phi 3$ H3.6(BLUE-LIGHT)
LED702	LED $\Phi 3$ H3.6(BLUE-LIGHT)
LED703	LED $\Phi 3$ H3.6(BLUE-LIGHT)
	LAMP PCB 35-MCD710-07A1
D025	MCDB710 USB BOARD ASS'Y
J1001	USB JACK(A-TYPE 4P FEMALE 90°DIP BLACK
	26WIRE 300 2.0/4PX1 2.0/4PX1
C1001	ELECTROLYTIC CAP.10u 16V M-5 5X11
	USB PCB 35-MCDB710-03A1
D024	MCD710 USB LAMP BOARD ASS'Y
LED501	LED $\Phi 3$ H3.6(BLUE-LIGHT)
	USB LAMP PCB 35-MCD710-05A1
D043	MCD710 VOLUME BOARD ASS'Y
ENCODER800	CODER(ED-1612-00-F15 40-80G)
	VOLUME PCB 35-MCD710-08A1
D016	MCD759 DVD MECHANISM ASS'Y
	DVD MECHANISM(SONY KHM-313AAA)
	DVD MECHANISM BRACKET(RT-656n)
	MCDB710/12 MCU ASS'Y
IC102	CPU U252(S3C9228 XYZ-CAN CHANGE)

Factory Partlist

	MCDB710/12 CPU SOFTWARE(V1.0)
D010	MCDB710/12 DECODER BOARD ASS'Y DVD DECODER EJS89LA710-12 MCDB710/12 DVD SOFTWARE(V1.0)
D030	MCDB710 USB LIGHT GUIDE ASS'Y MCD716 USB DOOR SPRING MCD716 USB LIGHT GUIDE(PMMA SILK-SCREEN) MCD716 USB DOOR(ABS 10967) MCD716 USB DOOR BRACKET(ABS)
D040A	MCD710 CENTER BUTTON ASS'Y
D041	MCD710 CENTER BUTTON BRACKET(ABS)
D040	MCD710 CENTER BUTTON(ABS PLATE)
D027A	MCD710 STANDBY BUTTON ASS'Y
D027	MCD710 STANDBY BUTTON BRACKET(ABS)
D028	MCD710 STANDBY BUTTON(ABS)
D037A	MCD710 FUNCTION BUTTON ASS'Y
D039	MCD710 BUTTON BRACKET ABS
D038	MCD710 DIRECTION BUTTON ABS MCD710 FUNCTION BUTTON ABS MCD710 FUNCTION BUTTON(OPEN/CLOSE) ABS MCD710 FUNCTION BUTTON(STOP) ABS
DVD	MCDB710/12 DVD CASING PARTS ASS'Y
D002	POW182A POWER BOARD ASS'Y 2.0
D031	MCD710 ALUMINUM PANEL(L)
D034	MCD710 ALUMINUM PANEL(R) MCD988 USB PCB PRESS-PIECE
D015	MCD710 PCB BRACKET ALUMINIUM SCUTCHEON(PHILIPS 56X10) MCDB710 EARTHING PLATE 112X83X0.2
D001	MCD710 TOP COVER(HIPS BLACK)
D019	MCD710 BOTTOM CABINET
D029	MCD710 PLASTIC FRONT-PANEL(HIPS)
D035	MCD710 VOLUME KNOB (ABS PLATE)
D032	MCM710 BIG LENS
D033	MCD710 SMALL LENS(FOR MCDB710)
D036	MCD710 VOLUME KNOB LIGHT GUIDE(PMMA)
D017	MCD908 DVD DOOR(FOR MCDB710)
D008	MINI FAN(RDM4010S DC12V/0.07A)
D020	MCD705 RUBBER-FOOT $\Phi 4 \times 6$ RUBBER PAD 40X6X10 70° FIBRE WASHER $\Phi 3 \times \Phi 14 \times 1$ BLACK SPONGE 14.5X5X1 40° WHITE SPONGE 47X10X2 40° CABLE TIE 70 BLACK SPONGE 38.5X5X1 40° ? POWER CORD 1.95m VH3.96 VDE SCREW 3 X 10 FA $\Phi 5.5$ PLATE SCREW 3 X 15 PA $\Phi 5$ SCREW 3 X 8 PWA (PLATING) SCREW 3 X 12 BA BLACK

	SCREW 3 X 15 BA
	SCREW 3 X 8 BA (PLATING)
	SCREW 3X6 PT (PLATING)
	SCREW 3 X 10 PA (PLATING)
	SCREW 3 X 4 BMTT (PLATING)
	SCREW 2.6 X 8 BA BLACK
	FLAT FLEXIBLE CABLE 24PX150X0.5XA
	28WIRE 350 2.0/2PX1 4P
	M3 NUT (PLATING)
	SCREW 3X12FA (PLATING)
	28 WIRE 450 2.0/4PX1 2.0/4PX1
DAB	NUT M9(PLATING)
DAB	METAL WASHER Φ 10X14X0.4 (PLATING)
FAN X4	SCREW 3 X 15 FM (PLATING)
	28WIRE 320 2.0/2PX1
	28WIRE 280 2.0/9PX1 2.0/9PX1
	28SHIELDING 150 2.0/3PX2
	22SINGLE WIRE+28WIRE+SHIELDING 150
	28WIRE+28SHIELDING 150 2.0/10PX2
	20SINGLE WIRE 150 2.5/3PX2
	28WIRE+28SHIELDING 180 2.0/6PX1 2.0/5
	28WIRE 230 2.0/5PX2
	28WIRE 150 2.0/6PX2
	JACK VH3.96/3P
	28WIRE 350 2.0/3PX1 2.0/3PX1
	DUSTPROOF PAPER 51X40 BLACK
	DUSTPROOF PAPER 118X78 BLACK
	MCDB710/12 REMOTE CONTROL ASS'Y PRC501-21
	MCDB710/12 SPEAKER CASING PARTS ASS'Y (L)
	MCDB710/12 SPEAEKR CASING PARTS ASS'Y(R)
	MCDB710/12 GIFT BOX
	DAB ANTENNA 1.8M
	AV WIRE 1.5m BLACK